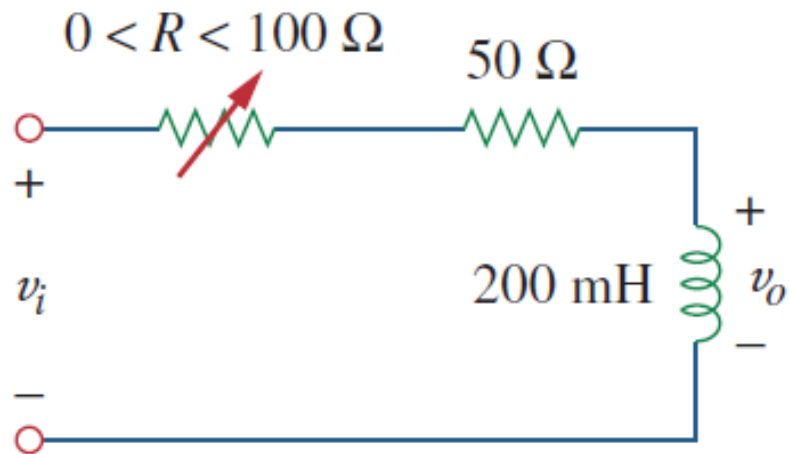


Problem

11/12/2019

Consider the phase-shifting circuit provided. Let $V_i = 120V$ operating at $60Hz$. Find:

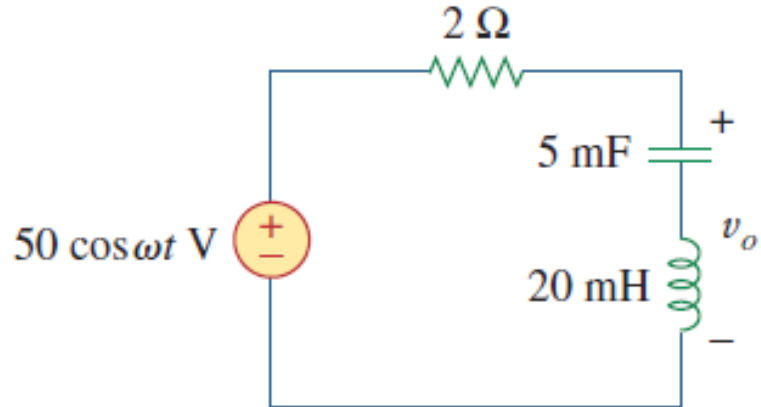
- V_o when R is maximum,
- V_o when R is minimum,
- the value of R that will produce a phase shift of 45° .



Problem

11/12/2019

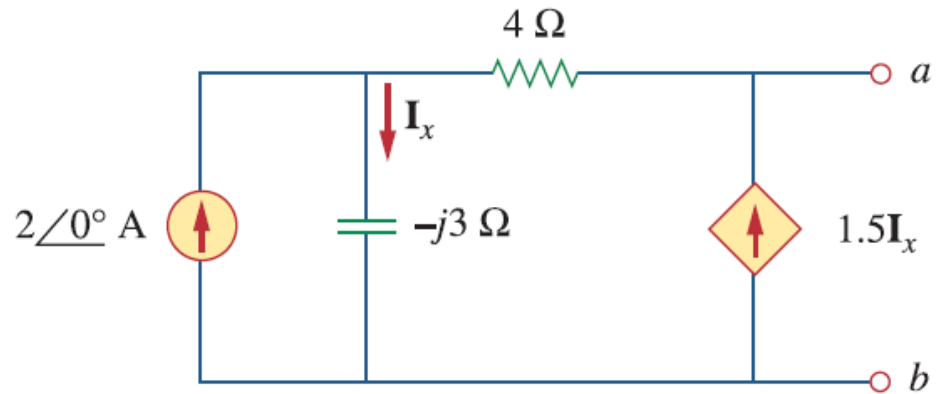
What value of ω will cause the forced response, v_o , to be zero?



Problem

11/12/2019

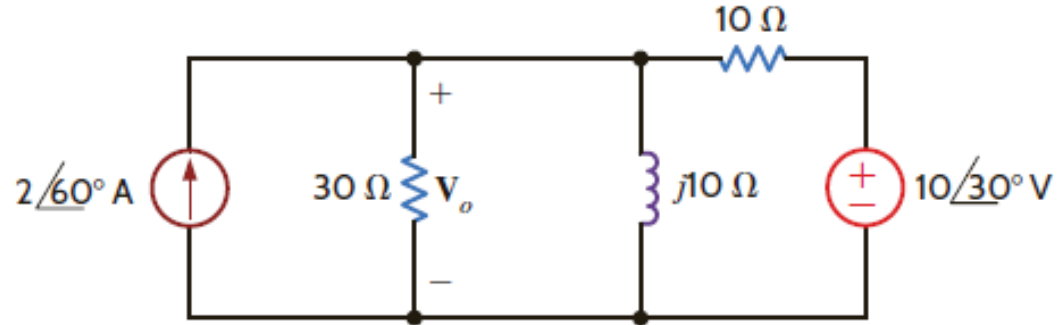
Find the Thevenin equivalent at terminals a-b.



Problem 8.61

11/12/2019

Find V_o in the given network.



Problem 8.31

11/12/2019

Find $i_C(t)$ and $i(t)$ in the given network.

