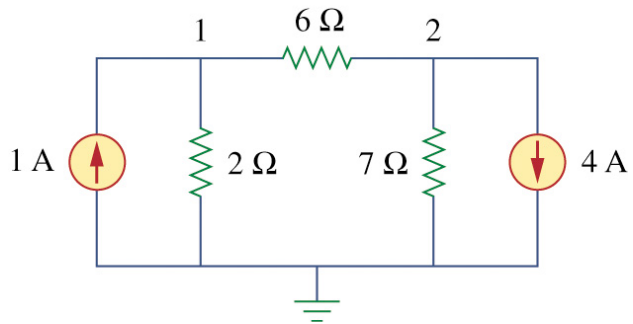


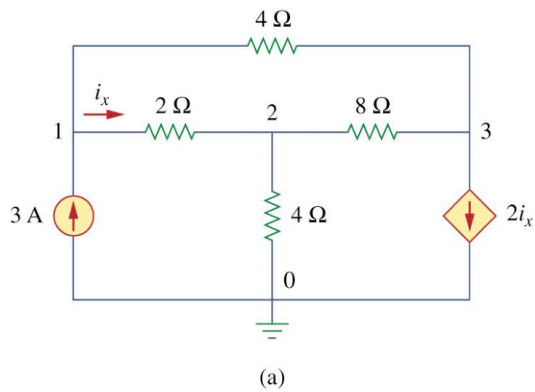
Lecture on September 22, 2014

Use node voltage method to find the node voltages:

Problem 1



Problem 2



Problem 3

