

Chapter 4 Topics

- The Design Process
- A 1-bus Microarchitecture for SRC
- Data Path Implementation
- Logic Design for the 1-bus SRC
- The Control Unit
- The 2- and 3-bus Processor Designs
- The Machine Reset Process
- Machine Exceptions



Abstract and Concrete Register Transfer Descriptions

- The abstract RTN for SRC in Chapter 2 defines “what,” not “how”
- A concrete RTN uses a specific set of real registers and buses to accomplish the effect of an abstract RTN statement
- Several concrete RTNs could implement the same ISA

C

S

D

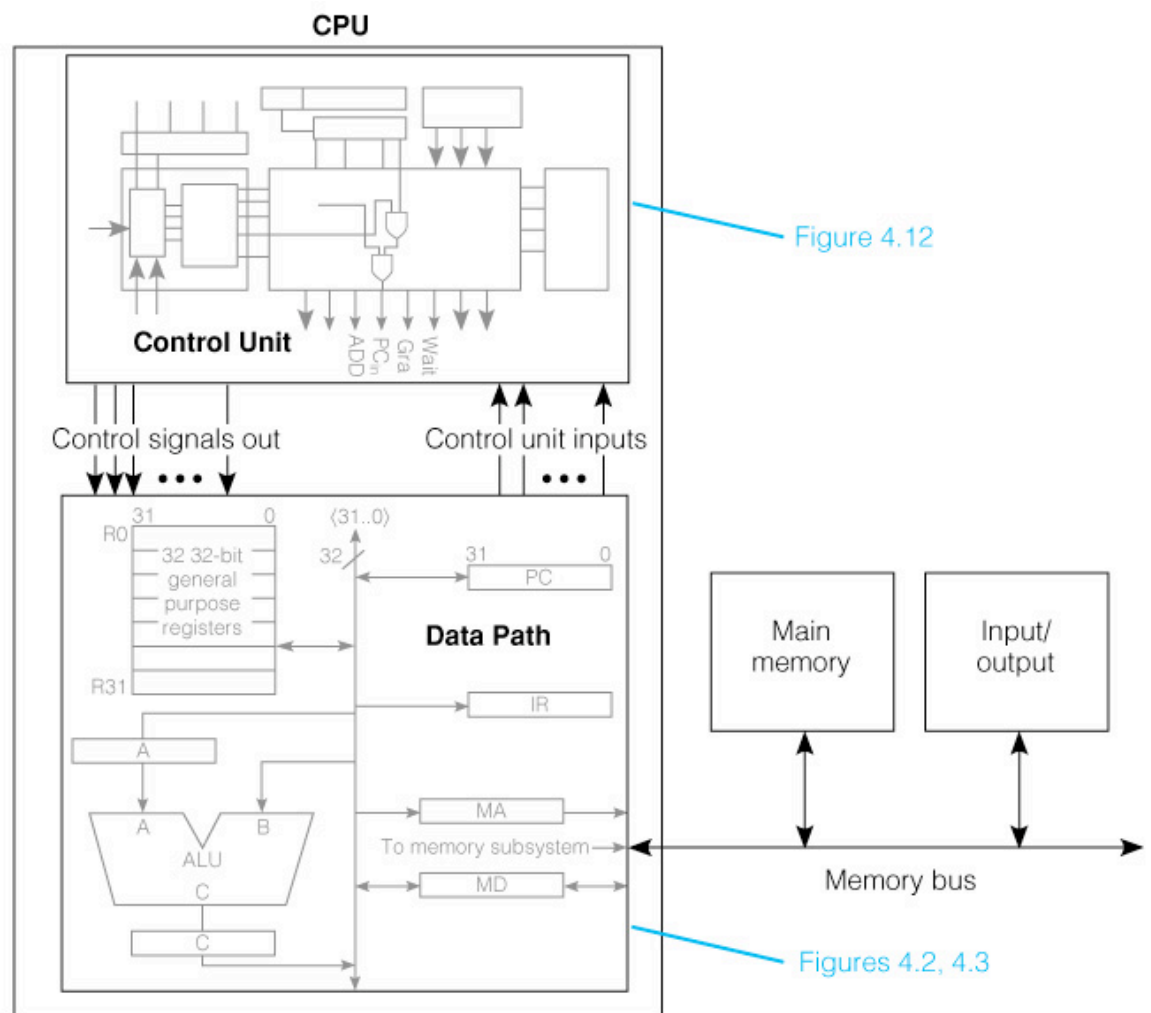
A

2/e

A Note on the Design Process

- In this chapter presents several SRC designs
- We started in Chap. 2 with an informal description
- In this chapter we will propose several block diagram architectures to support the abstract RTN, then we will:
 - Write concrete RTN steps consistent with the architecture
 - Keep track of demands made by concrete RTN on the hardware
- Design data path hardware and identify needed control signals
- Design a control unit to generate control signals

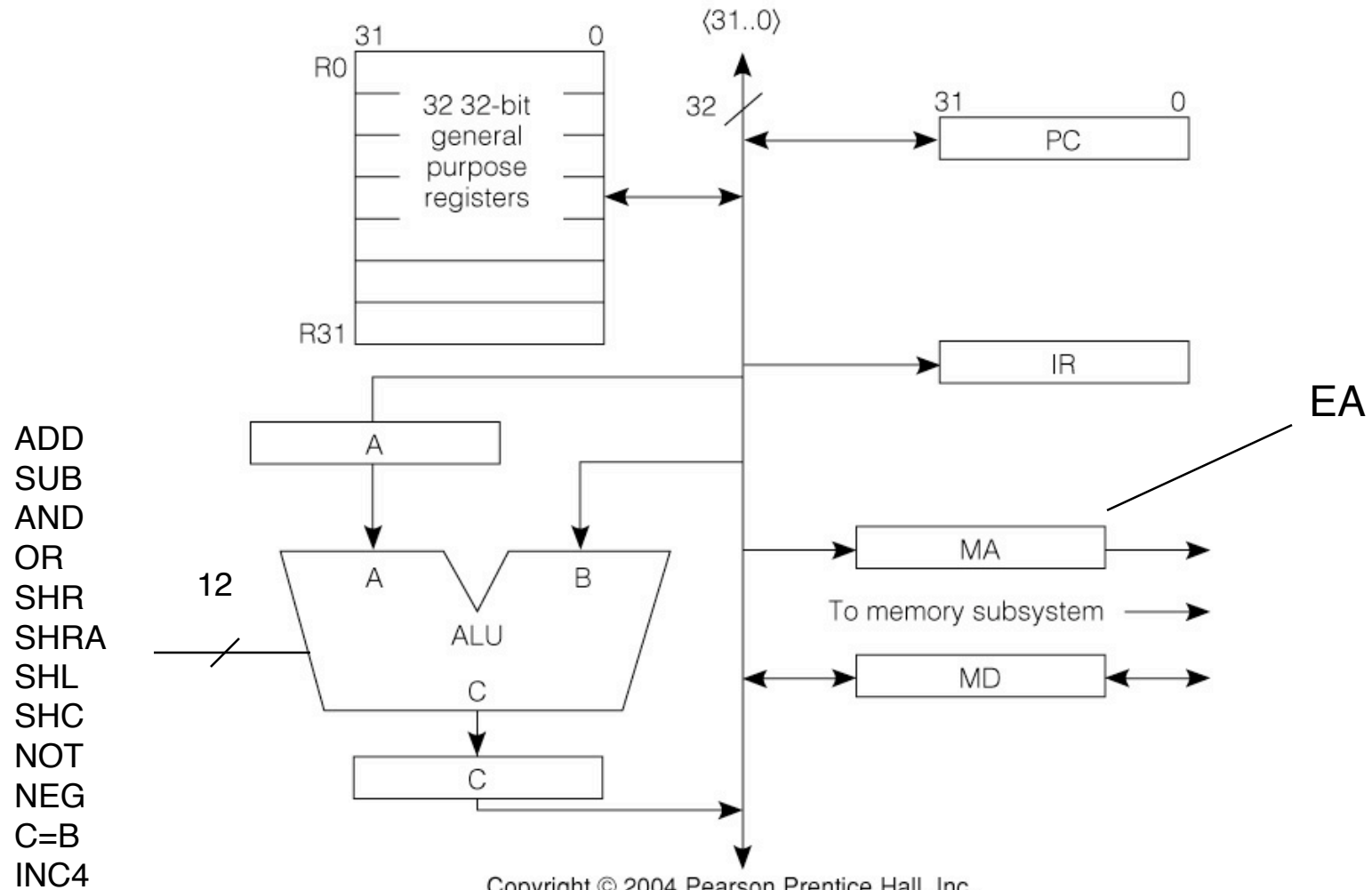
Fig. 4.1 Block Diagram of 1-bus SRC



Copyright © 2004 Pearson Prentice Hall, Inc.

C
S
D
A
2/e

Fig. 4.2 High-Level View of the 1-Bus SRC Design



C

S

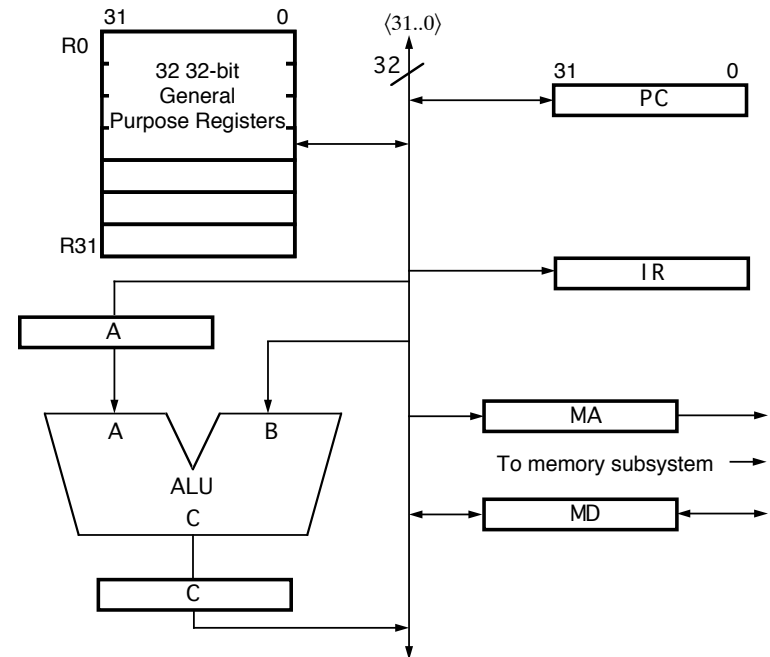
D

A

2/e

Constraints Imposed by the Microarchitecture

- One bus connecting most registers allows many different RTs, but only one at a time
- Memory address must be copied into MA by CPU
- Memory data written from or read into MD
- First ALU operand always in A, result goes to C
- Second ALU operand always comes from bus
- Information only goes into IR and MA from bus
 - A decoder (not shown) interprets contents of IR
 - MA supplies address to memory, not to CPU bus



C
S
D
A
2/e

Abstract and Concrete RTN for SRC add Instruction

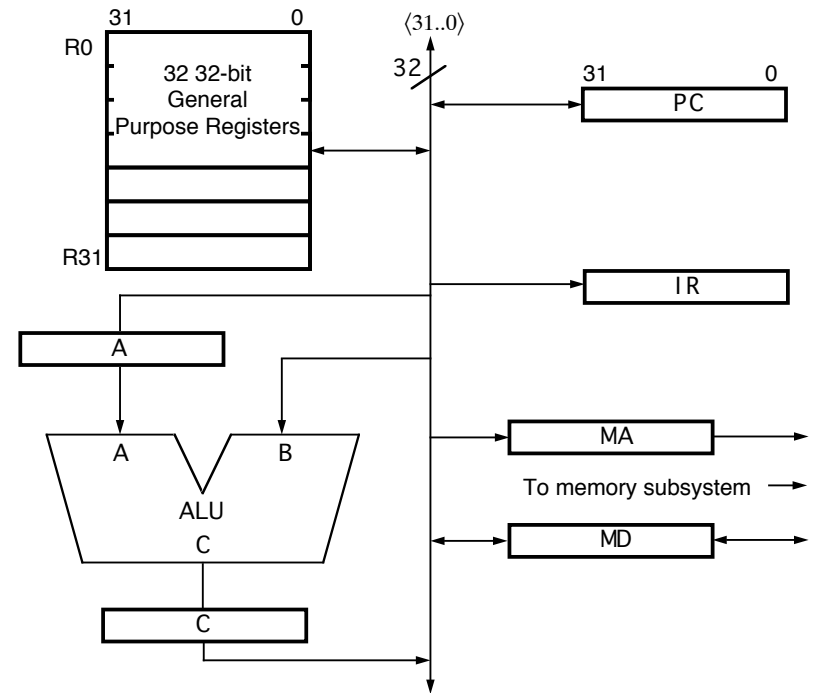
Abstract RTN: $(IR \leftarrow M[PC]; PC \leftarrow PC + 4; \text{instruction_execution});$
 $\text{instruction_execution} := (\dots$
 $\text{add} (:= \text{op} = 12) \rightarrow R[\text{ra}] \leftarrow R[\text{rb}] + R[\text{rc}];$

Tbl 4.1 Concrete RTN for add:

Step	RTN
T0.	$MA \leftarrow PC; C \leftarrow PC + 4;$
T1.	$MD \leftarrow M[MA]; PC \leftarrow C;$
T2.	$IR \leftarrow MD;$

T3.	$A \leftarrow R[\text{rb}];$
T4.	$C \leftarrow A + R[\text{rc}];$
T5.	$R[\text{ra}] \leftarrow C;$

\uparrow IF
 \downarrow IEx.



- Parts of 2 RTs ($IR \leftarrow M[PC]; PC \leftarrow PC + 4;$) done in T0
- Single add RT takes 3 concrete RTs (T3, T4, T5)



Concrete RTN Gives Information about Sub- units

- The ALU must be able to add two 32-bit values
- ALU must also be able to increment B input by 4
- Memory read must use address from MA and return data to MD
- Two RTs separated by : in the concrete RTN, as in T0 and T1, are operations at the same clock
- Steps T0, T1, and T2 constitute instruction fetch, and will be the same for all instructions
- With this implementation, fetch and execute of the add instruction takes 6 clock cycles

C

S

D

A

2/e

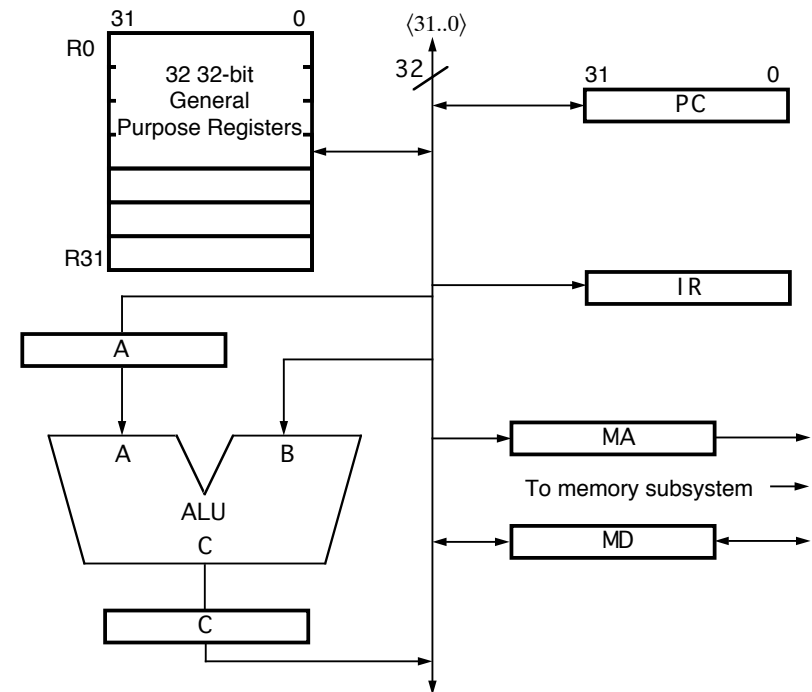
Concrete RTN for Arithmetic Instructions: addi

Abstract RTN:

addi ($:= op = 13$) $\rightarrow R[ra] \leftarrow R[rb] + c2\langle 16..0 \rangle \{2's\ comp. \ sign\ extend\}$:

Tbl 4.2 Concrete RTN for addi:

Step	RTN
T0.	$MA \leftarrow PC; C \leftarrow PC + 4;$
T1.	$MD \leftarrow M[MA]; PC \leftarrow C;$
T2.	$IR \leftarrow MD;$
T3.	$A \leftarrow R[rb];$
T4.	$C \leftarrow A + c2\langle 16..0 \rangle \{sign\ ext.\};$
T5.	$R[ra] \leftarrow C;$



- Differs from add only in step T4
- Establishes requirement for sign extend hardware

C

S

D

A

2/e

Abstract and Concrete RTN for Load and Store

ld ($:= op= 1$) $\rightarrow R[ra] \leftarrow M[disp]$:

st ($:= op= 3$) $\rightarrow M[disp] \leftarrow R[ra]$:

where

$disp\langle 31..0 \rangle := ((rb=0) \rightarrow c2\langle 16..0 \rangle \{sign\ ext.\}) :$

$(rb \neq 0) \rightarrow R[rb] + c2\langle 16..0 \rangle \{sign\ extend, 2's\ comp.\}) :$

Tbl 4.3

<u>Step</u>	<u>RTN for ld</u>	<u>RTN for st</u>
T0-T2	Instruction fetch	
T3.	$A \leftarrow (rb=0 \rightarrow 0: rb \neq 0 \rightarrow R[rb]);$	
T4.	$C \leftarrow A + (16@IR\langle 16 \rangle \#IR\langle 15..0 \rangle);$	
T5.	$MA \leftarrow C;$	
T6.	$MD \leftarrow M[MA];$	$MD \leftarrow R[ra];$
T7.	$R[ra] \leftarrow MD;$	$M[MA] \leftarrow MD;$

C

S

D

A

2/e

Notes for Load and Store RTN

- Steps T0 through T2 are the same as for add and addi, and for all instructions
- In addition, steps T3 through T5 are the same for ld and st, because they calculate disp
- A way is needed to use 0 for R[rb] when rb=0
- 15 bit sign extension is needed for IR<16..0>
- Memory read into MD occurs at T6 of ld
- Write of MD into memory occurs at T7 of st

Concrete RTN for Conditional Branch

br (:= op= 8) → (cond → PC ← R[rb]):
 cond := (c3<2..0>=0 → 0: never
 c3<2..0>=1 → 1: always
 c3<2..0>=2 → R[rc]=0: if register is zero
 c3<2..0>=3 → R[rc]≠0: if register is nonzero
 c3<2..0>=4 → R[rc]<31>=0: if positive or zero
 c3<2..0>=5 → R[rc]<31>=1): if negative

Tbl 4.4

<u>Step</u>	<u>Concrete RTN</u>
T0-T2	Instruction fetch
T3.	CON ← cond(R[rc]);
T4.	CON → PC ← R[rb];

C

S

D

A

2/e

Notes on Conditional Branch RTN

- $c3\langle 2..0 \rangle$ are just the low order 3 bits of IR
- $\text{cond}()$ is evaluated by a combinational logic circuit having inputs from $R[\text{rc}]$ and $c3\langle 2..0 \rangle$
- The one bit register CON is not accessible to the programmer and only holds the output of the combinational logic for the condition
- If the branch succeeds, the program counter is replaced by the contents of a general reg.

C

S

D

A

2/e

Abstract and Concrete RTN for SRC Shift Right

shr ($:=$ op = 26) \rightarrow R[ra] \langle 31..0 $\rangle \leftarrow$ (n @ 0) # R[rb] \langle 31..n \rangle :
 n := ((c3 \langle 4..0 \rangle =0) \rightarrow R[rc] \langle 4..0 \rangle : shift count in reg.
 (c3 \langle 4..0 \rangle \neq 0) \rightarrow c3 \langle 4..0 \rangle) : or const. field

Tbl 4.5

<u>Step</u>	<u>Concrete RTN</u>
T0-T2	Instruction fetch
T3.	n \leftarrow IR \langle 4..0 \rangle ;
T4.	(n=0) \rightarrow (n \leftarrow R[rc] \langle 4..0 \rangle);
T5.	C \leftarrow R[rb];
T6.	Shr ($:=$ (n \neq 0) \rightarrow (C \langle 31..0 $\rangle \leftarrow$ 0#C \langle 31..1 \rangle : n \leftarrow n-1; Shr));
T7.	R[ra] \leftarrow C;

step T6 is repeated n times

C

S

D

A

2/e

Notes on SRC Shift RTN

- In the abstract RTN, n is defined with $:=$
- In the concrete RTN, it is a physical register
- n not only holds the shift count but is used as a counter in step T6
- Step T6 is repeated n times as shown by the recursion in the RTN
- The control for such repeated steps will be treated later

C

S

D

A

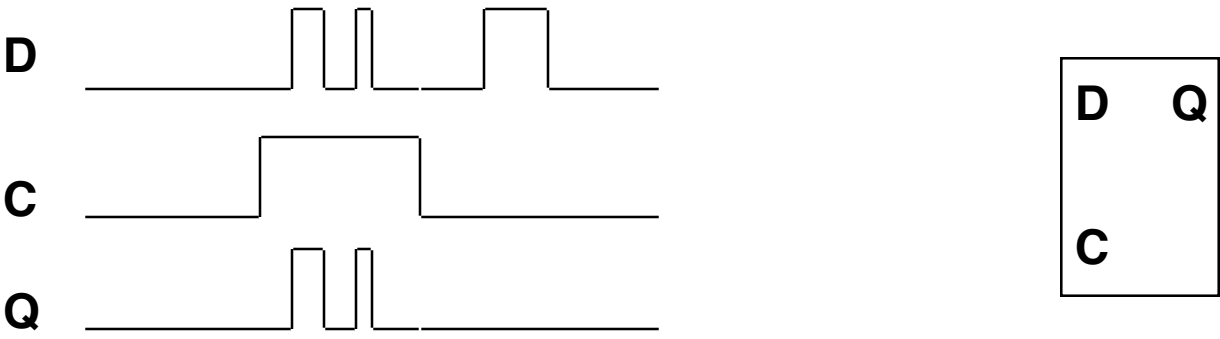
2/e

Data Path/Control Unit Separation

- Interface between data path and control consists of gate and strobe signals
- A gate selects one of several values to apply to a common point, say a bus
- A strobe changes the values of the flip-flops in a register to match new inputs
- The type of flip-flop used in regs. has much influence on control and some on data path
 - Latch: simpler hardware, but more complex timing
 - Edge triggering: simpler timing, but about 2× hardware

Reminder on Latch and Edge-Triggered Operation

- Latch output follows input while strobe is high



- **Edge triggering samples input at edge time**

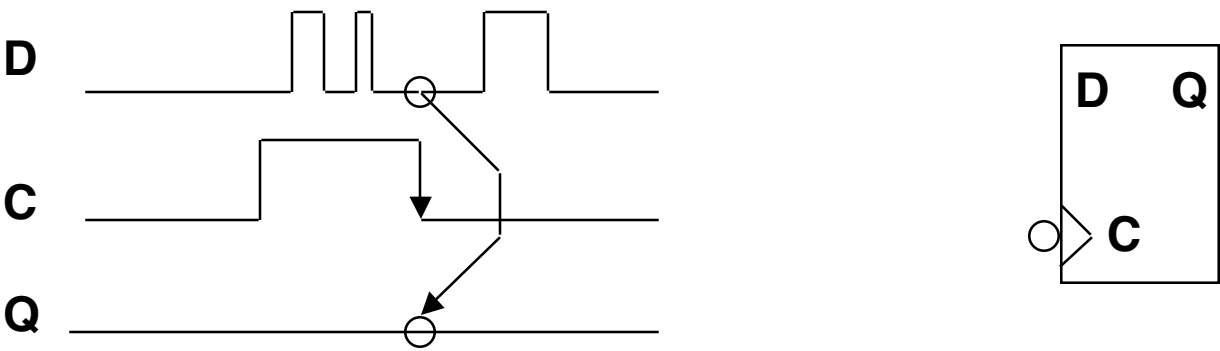
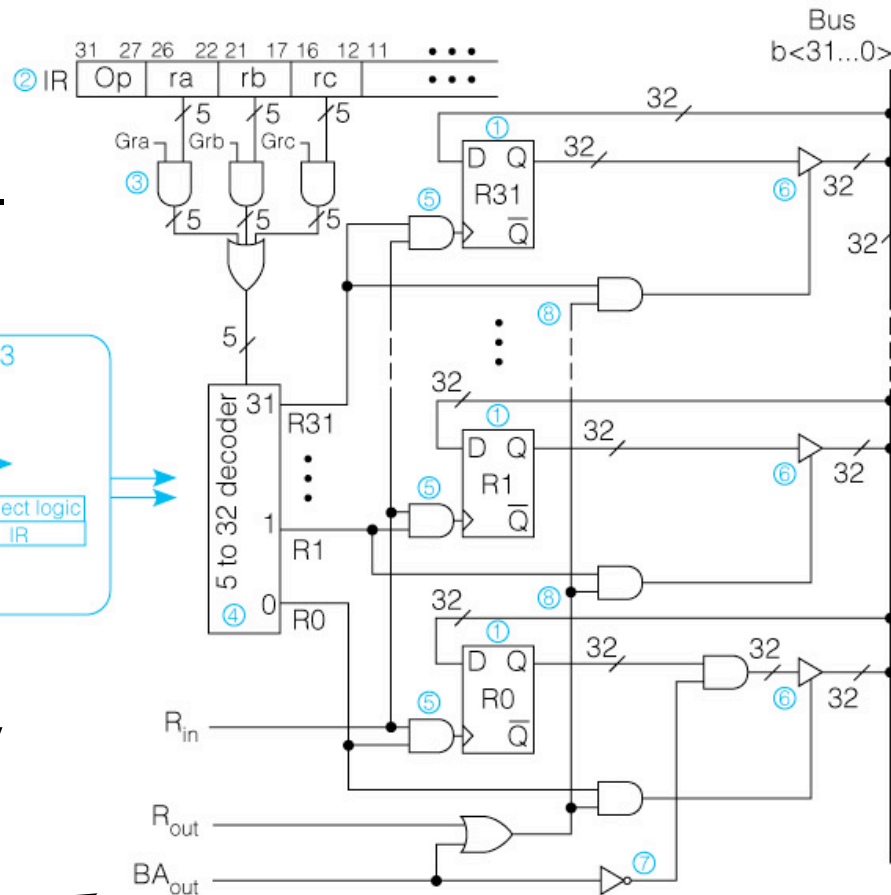
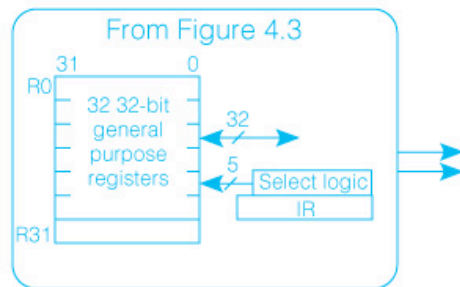


Fig. 4.4 The SRC Register File and Its Control Signals

- R_{out} gates selected reg. onto bus
- R_{in} strobed selected reg. from bus



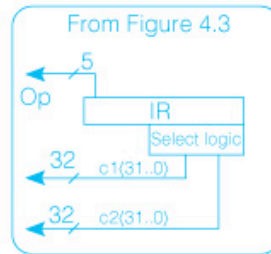
- BA_{out} differs from R_{out} by gating 0 when $R[0]$ is selected

BA = Base Address

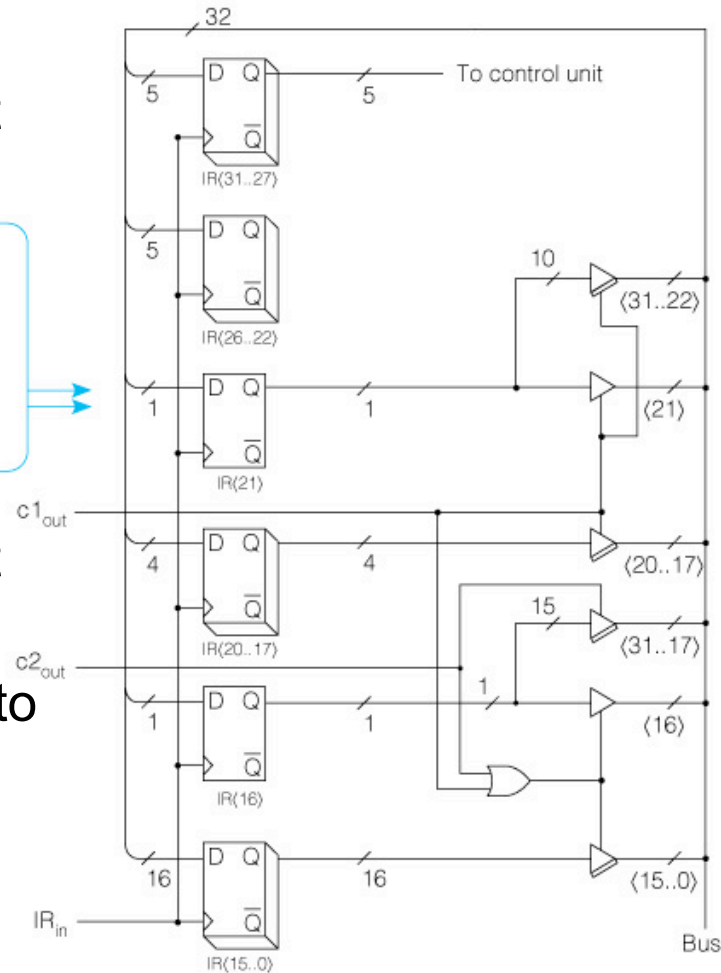
Copyright © 2004 Pearson Prentice Hall, Inc.

Fig. 4.5 Extracting c1, c2, and op from the Instruction Register

- I<21> is the sign bit of C1 that must be extended



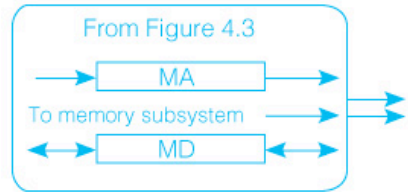
- I<16> is the sign bit of C2 that must be extended
- Sign bits are fanned out from one to several bits and gated to bus



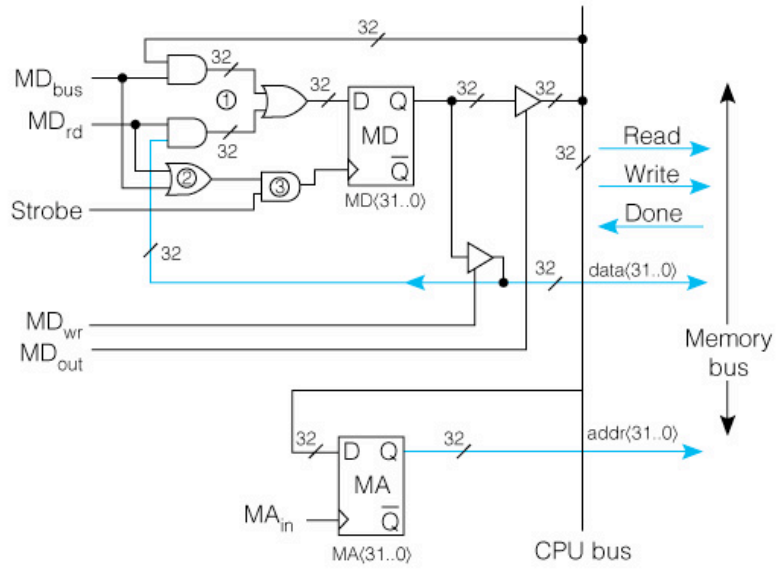
Copyright © 2004 Pearson Prentice Hall, Inc.

Fig. 4.6 CPU to Memory Interface: MA and MD Registers

- MD is loaded from memory bus or from CPU bus

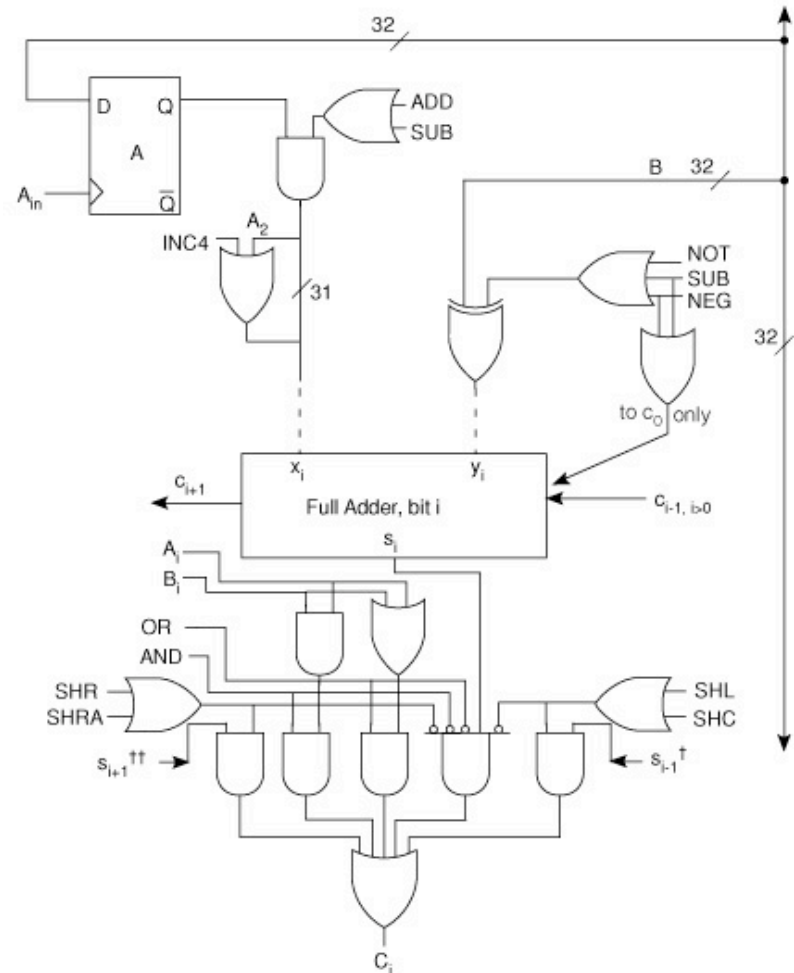


- MD can drive CPU bus or memory bus



Copyright © 2004 Pearson Prentice Hall, Inc.

Figure 4.8. A Logic-Level Design for One Bit of the 1-Bus SRC ALU



†($s_{i-1}=0$) when SHL•($i=0$), ($s_{i-1}=s_{31}$) when SHC•($i=0$)

††($s_{i+1}=0$) when SHR•($i=31$), ($s_{i+1}=s_{31}$) when SHRA•($i=31$)

Copyright © 2004 Pearson Prentice Hall, Inc.

From Concrete RTN to Control Signals: The Control Sequence

Tbl 4.6—The Instruction Fetch

<u>Step</u>	<u>Concrete RTN</u>	<u>Control Sequence</u>
T0.	$MA \leftarrow PC; C \leftarrow PC+4;$	$PC_{out}, MA_{in}, Inc4, C_{in}$
T1.	$MD \leftarrow M[MA]; PC \leftarrow C;$	$Read, C_{out}, PC_{in}, Wait$
T2.	$IR \leftarrow MD;$	MD_{out}, IR_{in}
T3.	Instruction_execution	

- The register transfers are the concrete RTN
- The control signals that cause the register transfers make up the control sequence
- Wait prevents the control from advancing to step T3 until the memory asserts Done

C

S

D

A

2/e

Control Steps, Control Signals, and Timing

- Within a given time step, the order in which control signals are written is irrelevant
 - In step T0, $C_{in}, Inc4, MA_{in}, PC_{out} == PC_{out}, MA_{in}, Inc4, C_{in}$
- The only timing distinction within a step is between gates and strobcs
- The memory read should be started as early as possible to reduce the wait
- MA must have the right value before being used for the read
- Depending on memory timing, Read could be in T0

C

S

D

A

2/e

Control Sequence for the SRC add Instruction

add (:= op= 12) \rightarrow $R[ra] \leftarrow R[rb] + R[rc]$:

Tbl 4.7 The Add Instruction

<u>Step</u>	<u>Concrete RTN</u>	<u>Control Sequence</u>
T0.	$MA \leftarrow PC; C \leftarrow PC+4;$	$PC_{out}, MA_{in}, Inc4, C_{in}, Read$
T1.	$MD \leftarrow M[MA]; PC \leftarrow C;$	$C_{out}, PC_{in}, Wait$
T2.	$IR \leftarrow MD;$	MD_{out}, IR_{in}
T3.	$A \leftarrow R[rb];$	Grb, R_{out}, A_{in}
T4.	$C \leftarrow A + R[rc];$	$Grc, R_{out}, ADD, C_{in}$
T5.	$R[ra] \leftarrow C;$	$C_{out}, Gra, R_{in}, End$

- Note the use of Gra, Grb, & Grc to gate the correct 5 bit register select code to the regs.
- End signals the control to start over at step T0

C

S

D

A

2/e

Control Sequence for the SRC addi Instruction

addi (:= op= 13) \rightarrow $R[ra] \leftarrow R[rb] + c2\langle 16..0 \rangle$ {2's comp., sign ext.} :

Tbl 4.8 The addi Instruction

<u>Step</u>	<u>Concrete RTN</u>	<u>Control Sequence</u>
T0.	$MA \leftarrow PC; C \leftarrow PC + 4;$	$PC_{out}, MA_{in}, Inc4, C_{in}, Read$
T1.	$MD \leftarrow M[MA]; PC \leftarrow C;$	$C_{out}, PC_{in}, Wait$
T2.	$IR \leftarrow MD;$	MD_{out}, IR_{in}
T3.	$A \leftarrow R[rb];$	Grb, R_{out}, A_{in}
T4.	$C \leftarrow A + c2\langle 16..0 \rangle$ {sign ext.};	$c2_{out}, ADD, C_{in}$
T5.	$R[ra] \leftarrow C;$	$C_{out}, Gra, R_{in}, End$

- The $c2_{out}$ signal sign extends $IR\langle 16..0 \rangle$ and gates it to the bus

C

S

D

A

2/e

Control Sequence for the SRC st Instruction

$st (:= op= 3) \rightarrow M[disp] \leftarrow R[ra] :$
 $disp\langle 31..0 \rangle := ((rb=0) \rightarrow c2\langle 16..0 \rangle \{sign\ ext.\} :$
 $(rb \neq 0) \rightarrow R[rb] + c2\langle 16..0 \rangle \{sign\ extend, 2's\ comp.\}) :$

The st Instruction

<u>Step</u>	<u>Concrete RTN</u>	<u>Control Sequence</u>
T0-T2	Instruction fetch	Instruction fetch
T3.	$A \leftarrow (rb=0) \rightarrow 0: rb \neq 0 \rightarrow R[rb];$	Grb, BA_{out}, A_{in} } address arithmetic
T4.	$C \leftarrow A + c2\langle 16..0 \rangle \{sign\ ext.\};$	$c2_{out}, ADD, C_{in}$ }
T5.	$MA \leftarrow C;$	C_{out}, MA_{in}
T6.	$MD \leftarrow R[ra];$	$Gra, R_{out}, MD_{in}, Write$
T7.	$M[MA] \leftarrow MD;$	Wait, End

- Note BA_{out} in T3 compared to R_{out} in T3 of addi

C

S

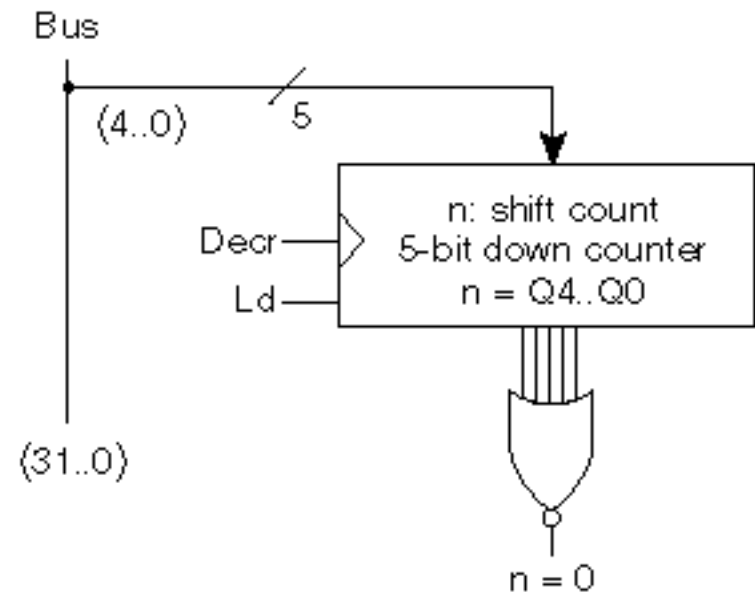
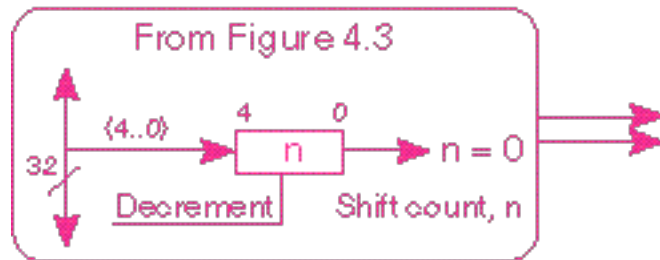
D

A

2/e

Fig. 4.9 The Shift Counter

- The concrete RTN for shr relies upon a 5 bit register to hold the shift count
- It must load, decrement, and have an $n = 0$ test



Tbl 4.10 Control Sequence for the SRC shr Instruction—Looping

Step	Concrete RTN	Control Sequence
T0-T2	Instruction fetch	Instruction fetch
T3.	$n \leftarrow IR\langle 4..0 \rangle;$	$c1_{out}, Ld$
T4.	$(n=0) \rightarrow (n \leftarrow R[rc]\langle 4..0 \rangle);$	$n=0 \rightarrow (Grc, R_{out}, Ld)$
T5.	$C \leftarrow R[rb];$	$Grb, R_{out}, C=B, C_{in}$
T6.	$Shr (:= (n \neq 0) \rightarrow (C\langle 31..0 \rangle \leftarrow 0\#C\langle 31..1 \rangle); n \leftarrow n-1; Shr));$	$n \neq 0 \rightarrow (C_{out}, SHR, C_{in}, Decr, Goto6)$
T7.	$R[ra] \leftarrow C;$	$C_{out}, Gra, R_{in}, End$

- Conditional control signals and repeating a control step are new concepts

C

S

D

A

2/e

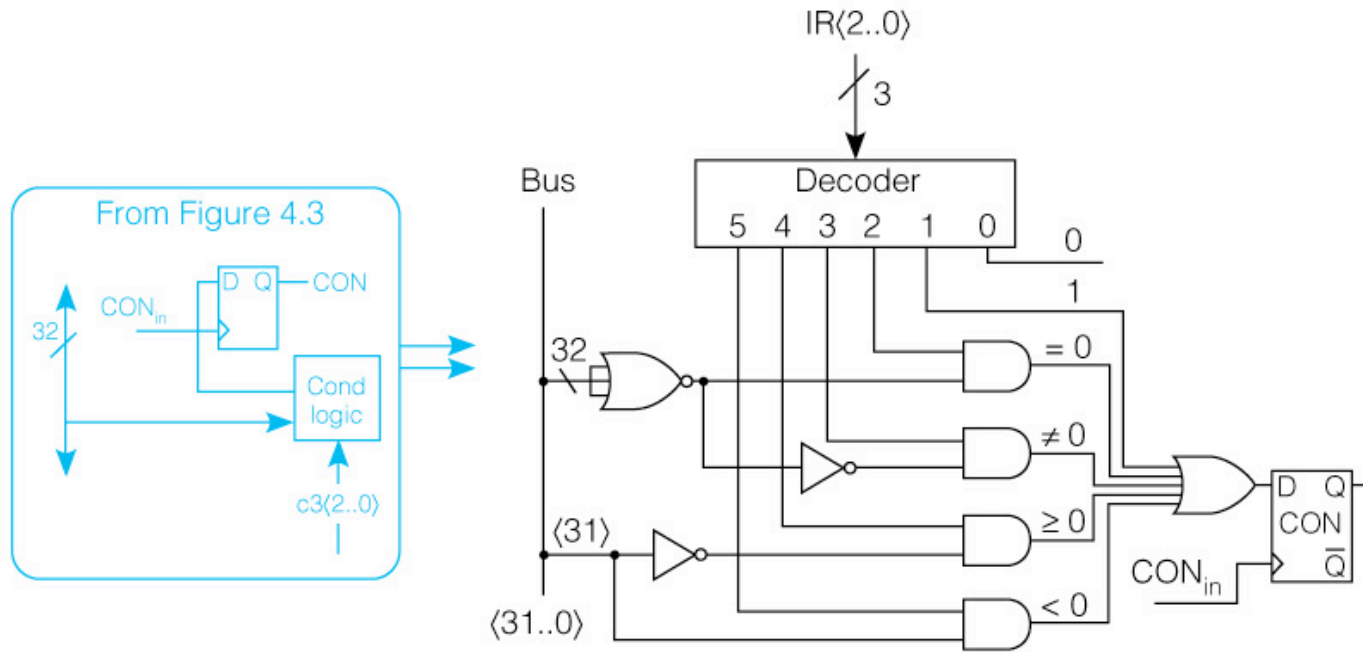
Branching

```
cond := ( c3⟨2..0⟩=0 → 0:  
          c3⟨2..0⟩=1 → 1:  
          c3⟨2..0⟩=2 → R[rc]=0:  
          c3⟨2..0⟩=3 → R[rc]≠0:  
          c3⟨2..0⟩=4 → R[rc]⟨31⟩=0:  
          c3⟨2..0⟩=5 → R[rc]⟨31⟩=1 ):
```

- This is equivalent to the logic expression

$$\begin{aligned} \text{cond} = & (c3\langle 2..0 \rangle = 1) \vee (c3\langle 2..0 \rangle = 2) \wedge (R[rc] = 0) \vee \\ & (c3\langle 2..0 \rangle = 3) \wedge \neg (R[rc] = 0) \vee (c3\langle 2..0 \rangle = 4) \wedge \neg R[rc]\langle 31 \rangle \vee \\ & (c3\langle 2..0 \rangle = 5) \wedge R[rc]\langle 31 \rangle \end{aligned}$$

Fig. 4.10 Computation of the Conditional Value CON



Copyright © 2004 Pearson Prentice Hall, Inc.

- NOR gate does $=0$ test of $R[rc]$ on bus

C
S
D
A
2/e

Tbl 4.11 Control Sequence for SRC Branch Instruction, br

$\text{br} (\text{:= op} = 8) \rightarrow (\text{cond} \rightarrow \text{PC} \leftarrow \text{R}[\text{rb}]):$

<u>Step</u>	<u>Concrete RTN</u>	<u>Control Sequence</u>
T0-T2	Instruction fetch	Instruction fetch
T3.	$\text{CON} \leftarrow \text{cond}(\text{R}[\text{rc}]);$	$\text{Grc}, \text{R}_{\text{out}}, \text{CON}_{\text{in}}$
T4.	$\text{CON} \rightarrow \text{PC} \leftarrow \text{R}[\text{rb}];$	$\text{Grb}, \text{R}_{\text{out}}, \text{CON} \rightarrow \text{PC}_{\text{in}}, \text{End}$

- Condition logic is always connected to CON, so R[rc] only needs to be put on bus in T3
- Only PC_{in} is conditional in T4 since gating R[rb] to bus makes no difference if it is not used

C

S

D

A

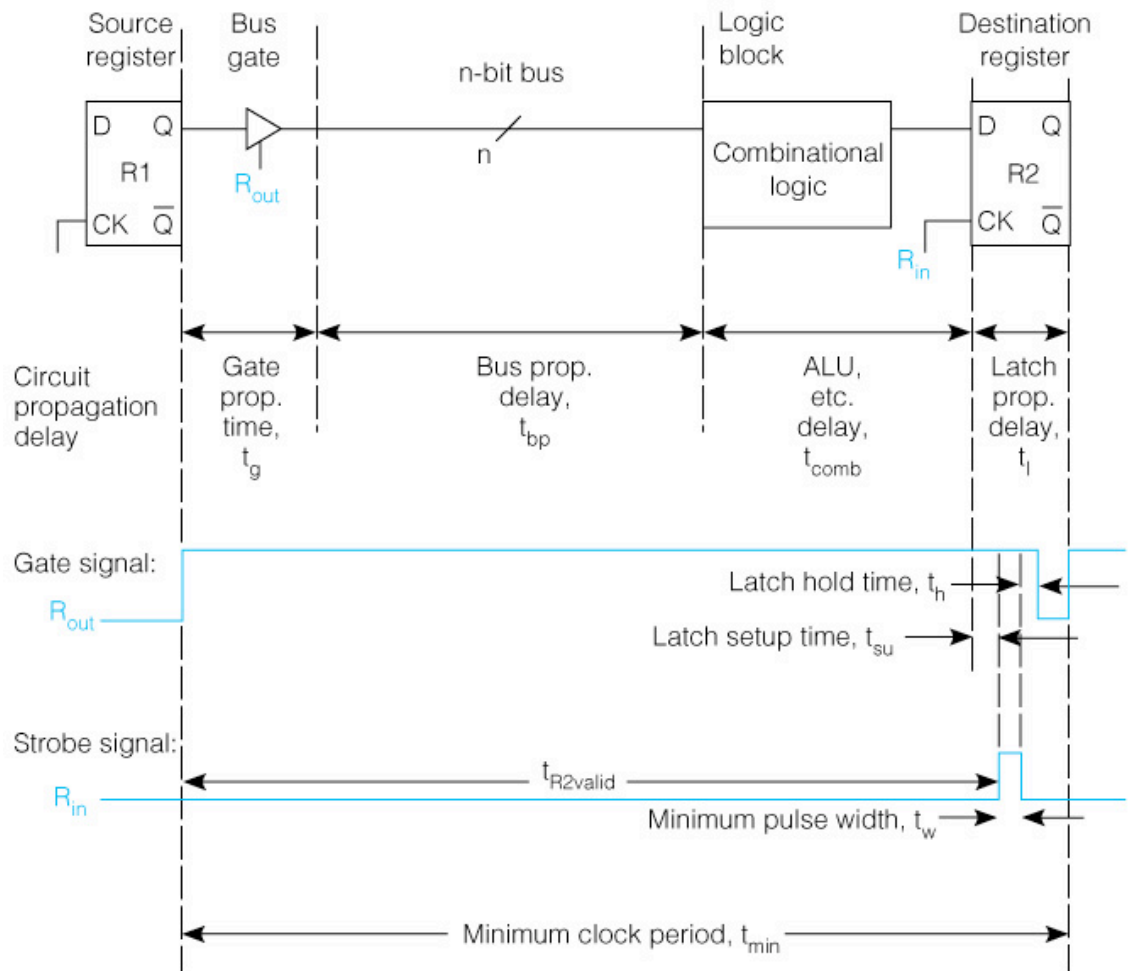
2/e

Summary of the Design Process

Informal description \Rightarrow formal RTN description \Rightarrow block diagram arch. \Rightarrow concrete RTN steps \Rightarrow hardware design of blocks \Rightarrow control sequences \Rightarrow control unit and timing

- At each level, more decisions must be made
 - These decisions refine the design
 - Also place requirements on hardware still to be designed
- The nice one way process above has circularity
 - Decisions at later stages cause changes in earlier ones
 - Happens less in a text than in reality because
 - Can be fixed on re-reading
 - Confusing to first time student

Fig. 4.11 Clocking the Data Path: Register Transfer Timing



Copyright © 2004 Pearson Prentice Hall, Inc.

- $t_{R2valid}$ is the period from begin of gate signal till inputs to R2 are valid
- t_{comb} is delay through combinational logic, such as ALU or cond logic

C

S

D

A

2/e

Signal Timing on the Data Path

- Several delays occur in getting data from R1 to R2
- Gate delay through the 3-state bus driver— t_g
- Worst case propagation delay on bus— t_{bp}
- Delay through any logic, such as ALU— t_{comb}
- Set up time for data to affect state of R2— t_{su}
- Data can be strobed into R2 after this time

$$t_{R2valid} = t_g + t_{bp} + t_{comb} + t_{su}$$

- Diagram shows strobe signal in the form for a latch. It must be high for a minimum time— t_w
- There is a hold time, t_h , for data after strobe ends

C S D A 2/e

Effect of Signal Timing on Minimum Clock Cycle

- A total latch propagation delay is the sum

$$T_l = t_{su} + t_w + t_h$$

- All above times are specified for latch
- t_h may be very small or zero
- The minimum clock period is determined by finding longest path from ff output to ff input
 - This is usually a path through the ALU
 - Conditional signals add a little gate delay
- Using this path, the minimum clock period is

$$t_{min} = t_g + t_{bp} + t_{comb} + t_l$$

Latches Versus Edge Triggered or Master Slave Flip-Flops

C
S
D
A
2/e

- During the high part of a strobe a latch changes its output
- If this output can affect its input, an error can occur
- This can influence even the kind of concrete RTs that can be written for a data path
- If the C register is implemented with latches, then
 $C \leftarrow C + MD;$ is not legal
- If the C register is implemented with master-slave or edge triggered flip-flops, it is OK

C

S

D

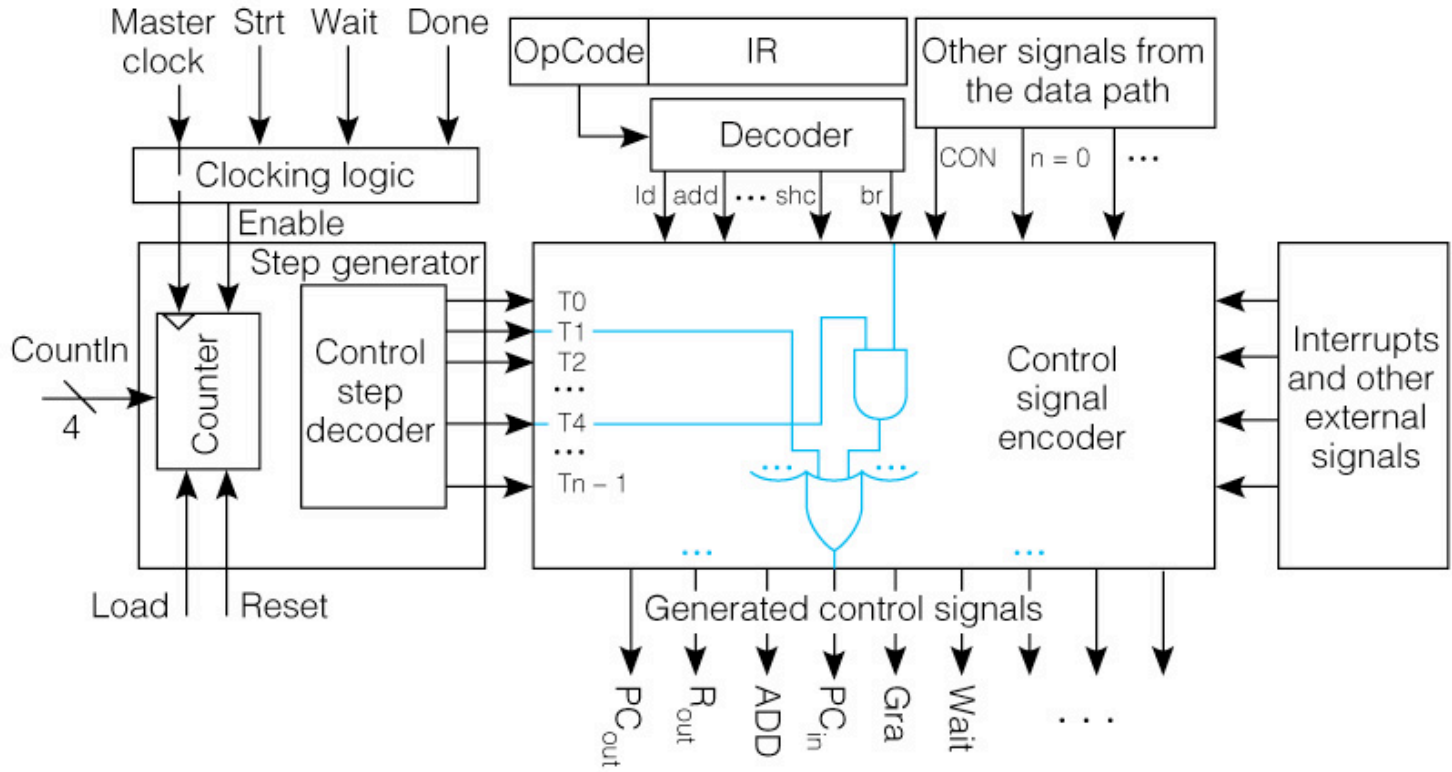
A

2/e

The Control Unit

- The control unit's job is to generate the control signals in the proper sequence
- Things the control signals depend on
 - The time step T_i
 - The instruction op code (for steps other than T_0 , T_1 , T_2)
 - Some few data path signals like CON, $n=0$, etc.
 - Some external signals: reset, interrupt, etc. (to be covered)
- The components of the control unit are: a time state generator, instruction decoder, and combinational logic to generate control signals

Fig. 4.12 Control Unit Detail with Inputs and Outputs



Copyright © 2004 Pearson Prentice Hall, Inc.

Synthesizing Control Signal Encoder Logic

Step	Control Sequence
T0.	PC _{out} ' MA _{in} , Inc4, C _{in} ' Read
T1.	C _{out} ' PC _{in} ' Wait
T2.	MD _{out} ' IR _{in}

add		addi		st		shr	
Step	Control Sequence	Step	Control Sequence	Step	Control Sequence	Step	Control Sequence
T3.	Grb, R _{out} ' A _{in}	T3.	Grb, R _{out} ' A _{in}	T3.	Grb, BA _{out} ' A _{in}	T3.	c1 _{out} ' Ld
T4.	Grc, R _{out} ' ADD, C _{in}	T4.	c2 _{out} ' ADD, C _{in}	T4.	c2 _{out} ' ADD, C _{in}	T4.	n=0 → (Grc, R _{out} ' Ld)
T5.	C _{out} ' Gra , R _{in} ' End	T5.	C _{out} ' Gra , R _{in} ' End	T5.	C _{out} ' MA _{in}	T5.	Grb, R _{out} ' C=B
				T6.	Gra , R _{out} ' MD _{in} ' Write	T6.	n≠0 → (C _{out} ' SHR, C _{in} ' Decr, Goto7)
				T7.	Wait, End	T7.	C _{out} ' Gra , R _{in} ' End



Design process:

- Comb through the entire set of control sequences.
- Find all occurrences of each control signal.
- Write an equation describing that signal.

Example: $Gra = T5 \cdot (add + addi) + T6 \cdot st + T7 \cdot shr + \dots$

Use of Data Path Conditions in Control Signal Logic

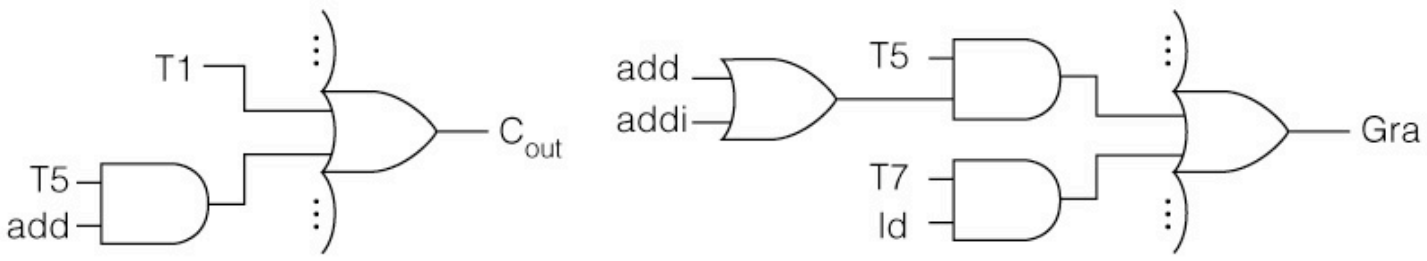
Step	Control Sequence
T0.	PC _{out} , MA _{in} , Inc4, C _{in} , Read
T1.	C _{out} , PC _{in} , Wait
T2.	MD _{out} , IR _{in}

add		addi		st		shr	
Step	Control Sequence	Step	Control Sequence	Step	Control Sequence	Step	Control Sequence
T3.	Grb, R _{out} , A _{in}	T3.	Grb, R _{out} , A _{in}	T3.	Grb, BA _{out} , A _{in}	T3.	c1 _{out} , Ld
T4.	Grc , R _{out} , ADD, C _{in}	T4.	c2 _{out} , ADD, C _{in}	T4.	c2 _{out} , ADD, C _{in}	T4.	n=0 → (Grc, R _{out} , Ld) ● ● ●
T5.	C _{out} , Gra, R _{in} , End	T5.	C _{out} , Gra, R _{in} , End	T5.	C _{out} , MA _{in}	T5.	Grb, R _{out} , C=B
				T6.	Gra, R _{out} , MD _{in} , Write	T6.	n≠0 → (C _{out} , SHR, C _{in} , Decr, Goto7)
				T7.	Wait, End	T7.	C _{out} , Gra, R _{in} , End

Example: $Grc = T4 \cdot add + T4 \cdot (n=0) \cdot shr + \dots$

C
S
D
A
2/e

Fig. 4.13 Generation of the logic for C_{out} and G_{ra}



Copyright © 2004 Pearson Prentice Hall, Inc.

C

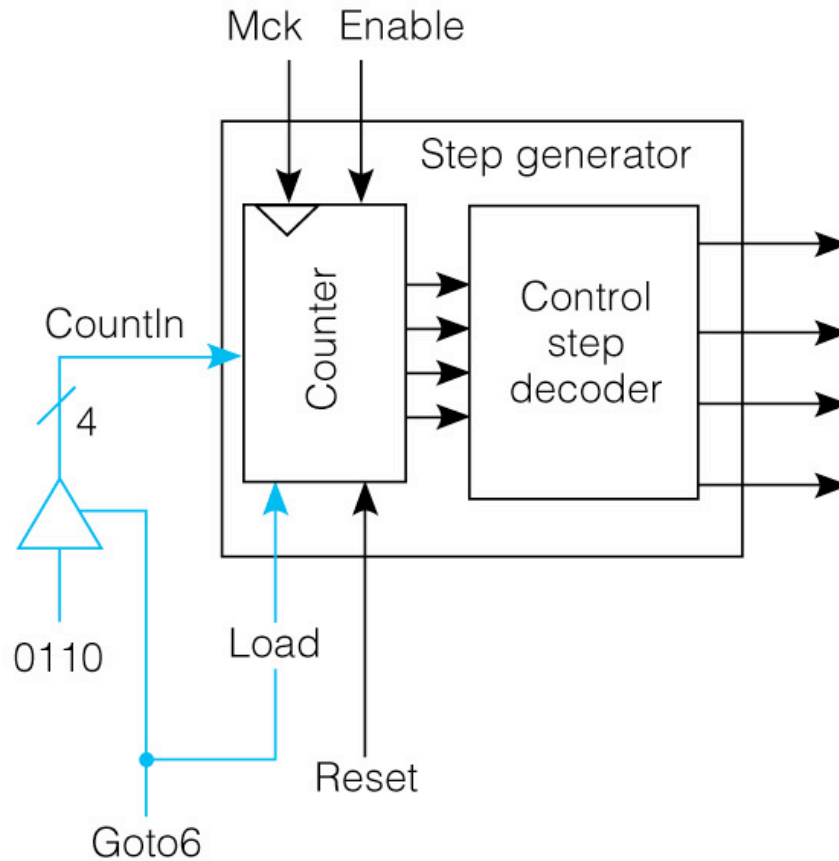
S

D

A

2/e

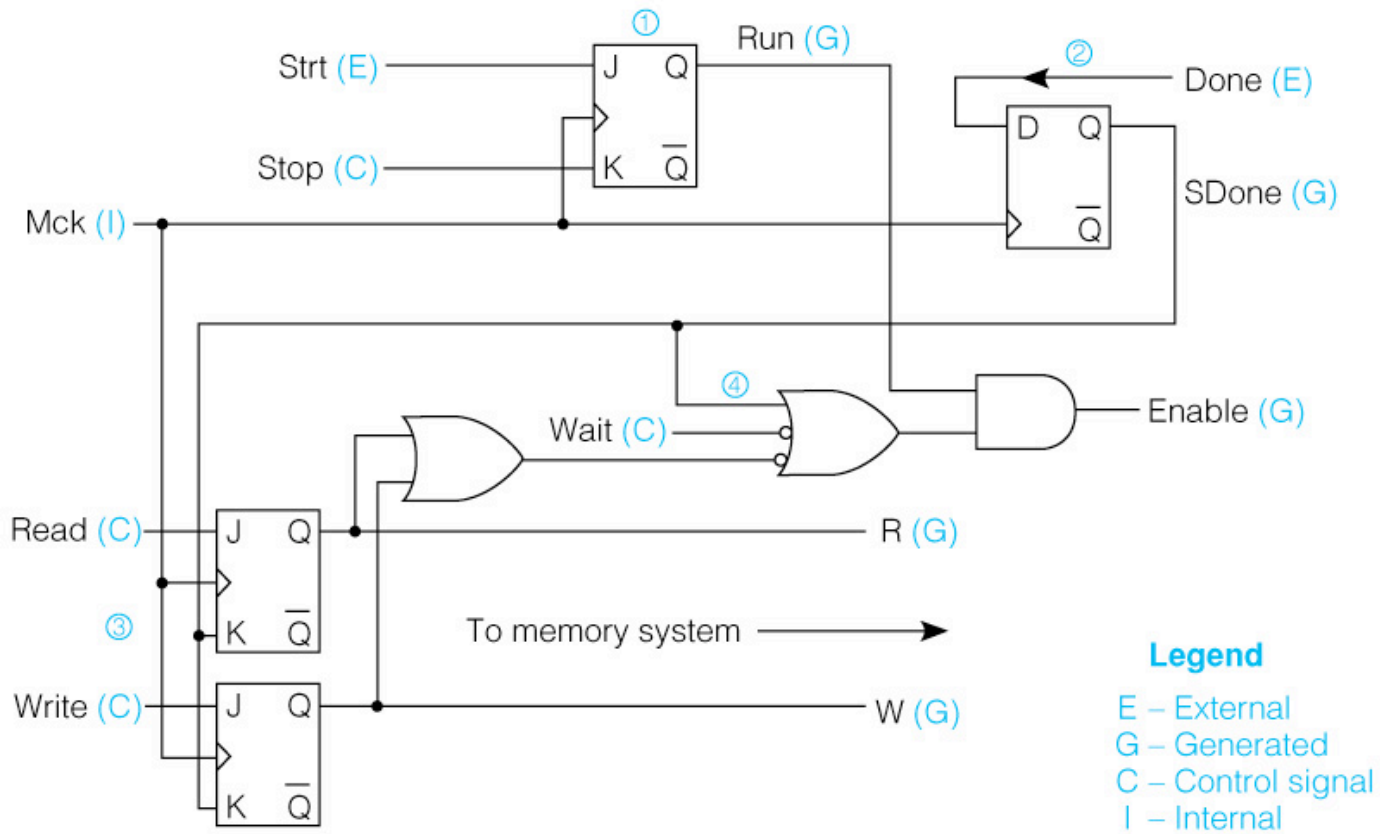
Fig. 4.14 Branching in the Control Unit



Copyright © 2004 Pearson Prentice Hall, Inc.

- 3-state gates allow 6 to be applied to counter input
- Reset will synchronously reset counter to step T0

Fig. 4.15 Clocking Logic: Start, Stop, and Memory Synchronization



Copyright © 2004 Pearson Prentice Hall, Inc.

- Mck is master clock oscillator

C

S

D

A

2/e

Have Completed One-Bus Design of SRC

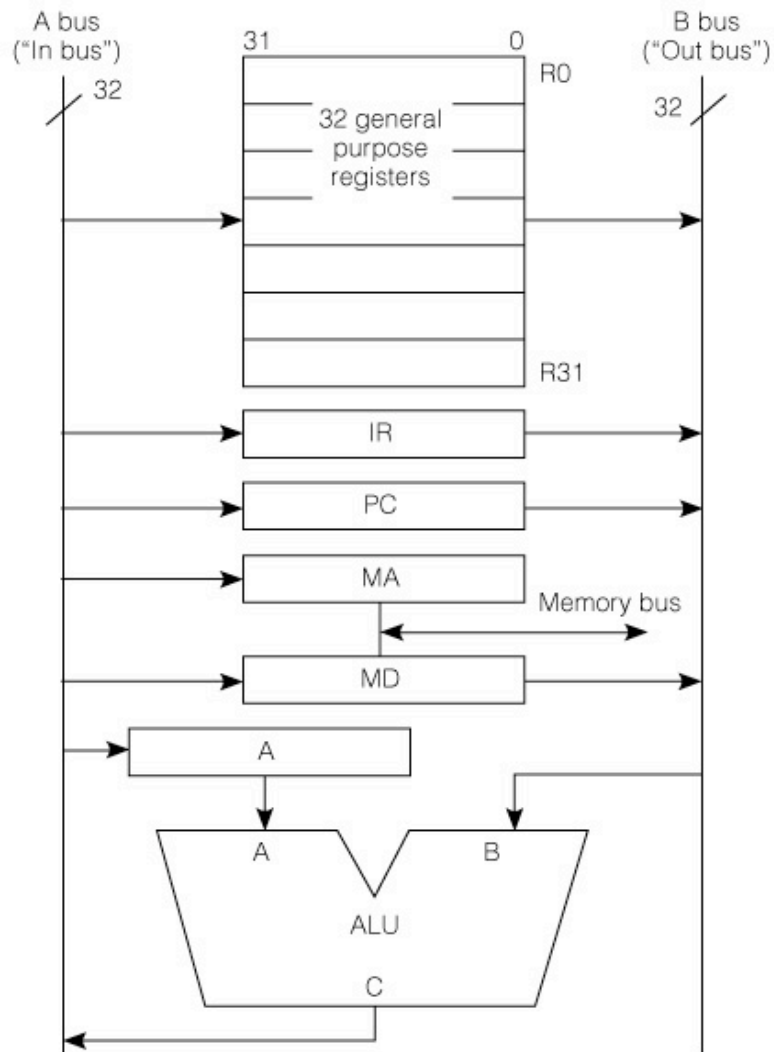
- High level architecture block diagram
- Concrete RTN steps
- Hardware design of registers and data path logic
- Revision of concrete RTN steps where needed
- Control sequences
- Register clocking decisions
- Logic equations for control signals
- Time step generator design
- Clock run, stop, and synchronization logic



Other Architectural designs will require a different RTN

- More data paths allow more things to be done in one step
- Consider a two bus design
- By separating input and output of ALU on different buses, the C register is eliminated
- Steps can be saved by strobing ALU results directly into their destinations

Fig. 4.16 The 2-bus Microarchitecture



Copyright © 2004 Pearson Prentice Hall, Inc.

- Bus A carries data going into registers
- Bus B carries data being gated out of registers
- ALU function $C=B$ is used for all simple register transfers

Tbl 4.13 Concrete RTN and Control Sequence for 2-bus SRC add

Step	Concrete RTN	Control Sequence
T0.	$MA \leftarrow PC;$	$PC_{out}, C=B, MA_{in}, Read$
T1.	$PC \leftarrow PC + 4; MD \leftarrow M[MA];$	$PC_{out}, Inc4, PC_{in}, Wait$
T2.	$IR \leftarrow MD;$	$MD_{out}, C=B, IR_{in}$
T3.	$A \leftarrow R[rb];$	$Grb, R_{out}, C=B, A_{in}$
T4.	$R[ra] \leftarrow A + R[rc];$	$Grc, R_{out}, ADD, Sra, R_{in}, End$

- Note the appearance of Grc to gate the output of the register rc onto the B bus and Sra to select ra to receive data strobed from the A bus
- Two register select decoders will be needed
- Transparent latches will be required for MA at step T0



Performance and Design

$$\%Speedup = \frac{T_{1 - bus} - T_{2 - bus}}{T_{2 - bus}} \times 100$$

Where

$$T = Exec'n.Time = IC \times CPI \times \tau$$

C

S

D

A

2/e

Speedup Due To Going to 2 Buses

- Assume for now that IC and τ don't change in going from 1 bus to 2 buses
- Naively assume that CPI goes from 8 to 7 clocks.

$$\%Speedup = \frac{T_{1-bus} - T_{2-bus}}{T_{2-bus}} \times 100$$

$$= \frac{IC \times 8 \times \tau - IC \times 7 \times \tau}{IC \times 7 \times \tau} \times 100 = \frac{8-7}{7} \times 100 = 14\%$$

Class Problem:

How will this speedup change if clock period of 2-bus machine is increased by 10%?

C

S

D

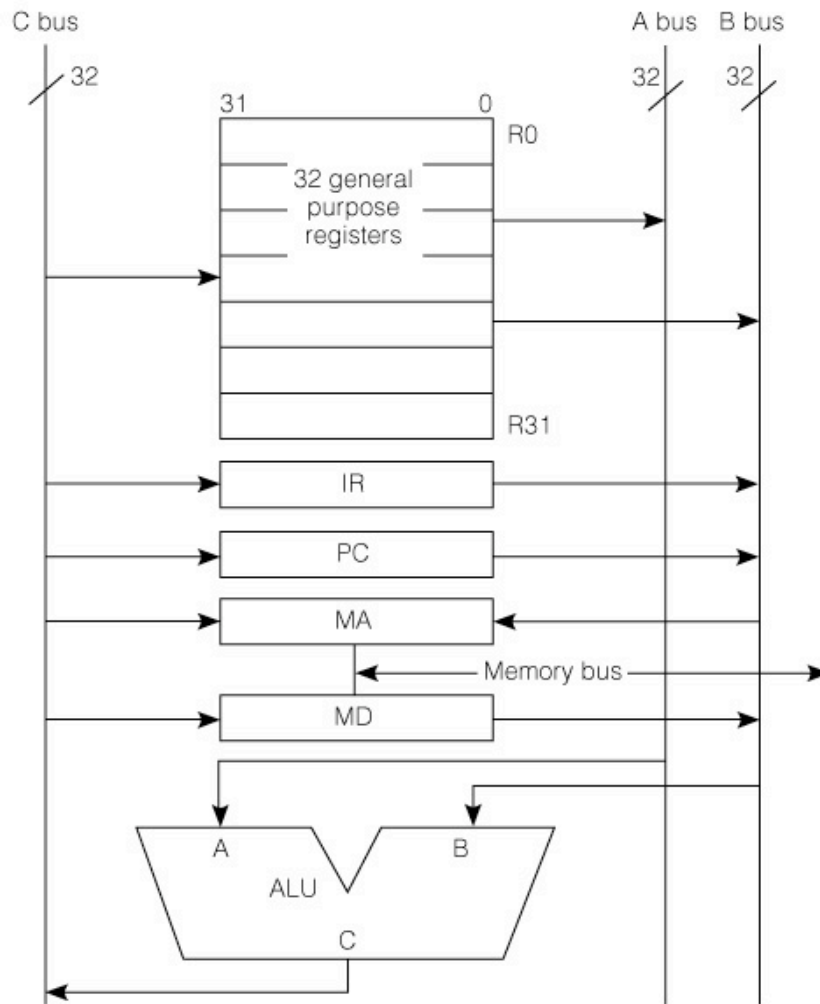
A

2/e

3-bus Architecture Shortens Sequences Even More

- A 3-bus architecture allows both operand inputs and the output of the ALU to be connected to buses
- Both the C output register and the A input register are eliminated
- Careful connection of register inputs and outputs can allow multiple RTs in a step

Fig. 4.17 The 3-Bus SRC Design



Copyright © 2004 Pearson Prentice Hall, Inc.

- A-bus is ALU operand 1, B-bus is ALU operand 2, and C-bus is ALU output
- Note MA input connected to the B-bus

Tbl 4.15 SRC add Instruction for the 3-bus Microarchitecture

Step	Concrete RTN	Control Sequence
T0.	$MA \leftarrow PC; PC \leftarrow PC + 4;$ $MD \leftarrow M[MA];$	$PC_{out}, MA_{in}, Inc4, PC_{in},$ Read, Wait
T1.	$IR \leftarrow MD;$	$MD_{out}, C=B, IR_{in}$
T2.	$R[ra] \leftarrow R[rb] + R[rc];$	$GArc, RA_{out}, GBrb, RB_{out},$ ADD, Sra, R_{in}, End

- Note the use of 3 register selection signals in step T2: GArc, GBrb, and Sra
- In step T0, PC moves to MA over bus B and goes through the ALU Inc4 operation to reach PC again by way of bus C
 - PC must be edge triggered or master-slave
- Once more MA must be a transparent latch

C

S

D

A

2/e

Performance and Design

- How does going to three buses affect performance?
- Assume average CPI goes from 8 to 4, while τ increases by 10%:

$$\%Speedup = \frac{IC \times 8 \times \tau - IC \times 4 \times 1.1\tau}{IC \times 4 \times 1.1\tau} \times 100 = \frac{8 - 4.4}{4.4} \times 100 = 82\%$$

C

S

D

A

2/e

Processor Reset Function

- Reset sets program counter to a fixed value
 - May be a hardwired value, or
 - contents of a memory cell whose address is hardwired
- The control step counter is reset
- Pending exceptions are prevented, so initialization code is not interrupted
- It may set condition codes (if any) to known state
- It may clear some processor state registers
- A “soft” reset makes minimal changes: PC, T (T-step counter)
- A “hard” reset initializes more processor state

C

S

D

A

2/e

SRC Reset Capability

- We specify both a hard and soft reset for SRC
- The Strt signal will do a hard reset
 - It is effective only when machine is stopped
 - It resets the PC to zero
 - It resets all 32 general registers to zero
- The Soft Reset signal is effective when the machine is running
 - It sets PC to zero
 - It restarts instruction fetch
 - It clears the Reset signal
- Actions are described in instruction_interpretation

C

S

D

A

2/e

Abstract RTN for SRC Reset and Start

Processor State

Strt: Start signal
Rst: External reset signal

```
instruction_interpretation := (  
    ¬Run ∧ Strt → (Run ← 1: PC, R[0..31] ← 0);  
    Run ∧ ¬Rst → (IR ← M[PC]: PC ← PC + 4;  
    instruction_execution);  
    Run ∧ Rst → ( Rst ← 0: PC ← 0); instruction_interpretation);
```

C S D A 2/e

Resetting in the Middle of Instruction Execution

- The abstract RTN implies that reset takes effect after the current instruction is done
- To describe reset during an instruction, we must go from abstract to concrete RTN
- Questions for discussion:
 - Why might we want to reset in the middle of an instruction?
 - How would we reset in the middle of an instruction?

Tbl 4.17 Concrete RTN Describing Reset During add Instruction Execution

Step	Concrete RTN
T0	\neg Reset \rightarrow (MA \leftarrow PC: C \leftarrow PC + 4): Reset \rightarrow (Reset \leftarrow 0: PC \leftarrow 0: T \leftarrow 0):
T1	\neg Reset \rightarrow (MD \leftarrow M[MA]: P \leftarrow C): Reset \rightarrow (Reset \leftarrow 0: PC \leftarrow 0: T \leftarrow 0):
T2	\neg Reset \rightarrow (IR \leftarrow MD): Reset \rightarrow (Reset \leftarrow 0: PC \leftarrow 0: T \leftarrow 0):
T3	\neg Reset \rightarrow (A \leftarrow R[rb]): Reset \rightarrow (Reset \leftarrow 0: PC \leftarrow 0: T \leftarrow 0):
T4	\neg Reset \rightarrow (C \leftarrow A + R[rc]): Reset \rightarrow (Reset \leftarrow 0: PC \leftarrow 0: T \leftarrow 0):
T5	\neg Reset \rightarrow (R[ra] \leftarrow C): Reset \rightarrow (Reset \leftarrow 0: PC \leftarrow 0: T \leftarrow 0):

Control Sequences Including the Reset Function

Step	Control Sequence
T0.	\neg Reset \rightarrow (PC _{out} , MA _{in} , Inc4, C _{in} , Read): Reset \rightarrow (ClrPC, ClrR, Goto0):
T1	\neg Reset \rightarrow (C _{out} , PC _{in} , Wait): Reset \rightarrow (ClrPC, ClrR, Goto0):
	• • •

- ClrPC clears the program counter to all zeros, and ClrR clears the one bit Reset flip-flop
- Because the same reset actions are in every step of every instruction, their control signals are independent of time step or op code

C

S

D

A

2/e

General Comments on Exceptions

- An exception is an event that causes a change in the program specified flow of control
- Because normal program execution is interrupted, they are often called interrupts
- We will use exception for the general term and use interrupt for an exception caused by an external event, such as an I/O device condition
- The usage is not standard. Other books use these words with other distinctions, or none

Combined Hardware/Software Response to an Exception

- The system must control the type of exceptions it will process at any given time
- The state of the running program is saved when an allowed exception occurs
- Control is transferred to the correct software routine, or “handler” for this exception
- This exception, and others of less or equal importance are disallowed during the handler
- The state of the interrupted program is restored at the end of execution of the handler

C

S

D

A

2/e

Hardware Required to Support Exceptions

- To determine relative importance, a priority number is associated with every exception
- Hardware must save and change the PC, since without it no program execution is possible
- Hardware must disable the current exception lest it interrupt the handler before it can start
- Address of the handler is called the exception vector and is a hardware function of the exception type
- Exceptions must access a save area for PC and other hardware saved items
 - Choices are special registers or a hardware stack

C S D A 2/e

New Instructions Needed to Support Exceptions

- An instruction executed at the end of the handler must reverse the state changes done by hardware when the exception occurred
- There must be instructions to control what exceptions are allowed
 - The simplest of these enable or disable all exceptions
- If processor state is stored in special registers on an exception, instructions are needed to save and restore these registers

C

S

D

A

2/e

Kinds of Exceptions

- System reset
- Exceptions associated with memory access
 - Machine check exceptions
 - Data access exceptions
 - Instruction access exceptions
 - Alignment exceptions
- Program exceptions
- Miscellaneous hardware exceptions
- Trace and debugging exceptions
- Non-maskable exceptions
- External exceptions—interrupts

C

S

D

A

2/e

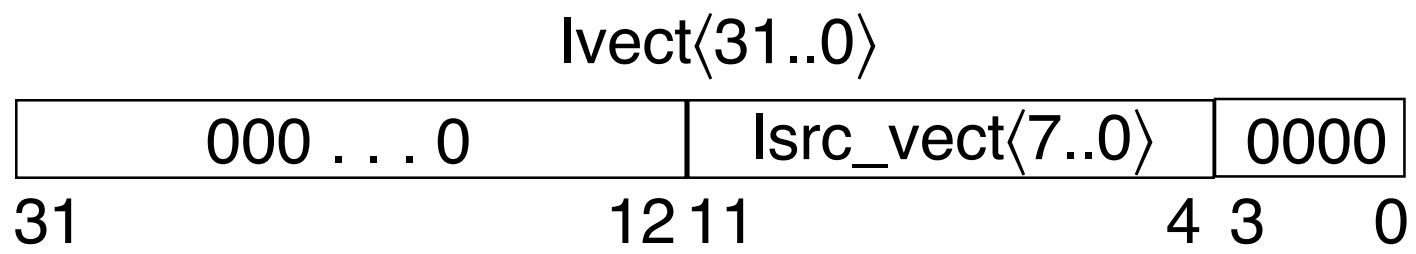
An Interrupt Facility for SRC

- The exception mechanism for SRC handles external interrupts
- There are no priorities, but only a simple enable and disable mechanism
- The PC and information about the source of the interrupt are stored in special registers
 - Any other state saving is done by software
- The interrupt source supplies 8 bits that are used to generate the interrupt vector
- It also supplies a 16 bit code carrying information about the cause of the interrupt

SRC Processor State Associated with Interrupts

Processor interrupt mechanism

- From Dev. → ireq: interrupt request signal
- To Dev. → iack: interrupt acknowledge signal
- Internal → IE: one bit interrupt enable flag
- to CPU → IPC<31..0>: storage for PC saved upon interrupt
- “ → II<15..0>: info. on source of last interrupt
- From Dev. → lsrc_info<15..0>: information from interrupt source
- From Dev → lsrc_vect<7..0>: type code from interrupt source
- Internal → lvect<31..0>:= 20@0#lsrc_vect<7..0>#4@0:



SRC Instruction Interpretation Modified for Interrupts

```
instruction_interpretation :=  
(¬Run ∧ Strt → Run ← 1:  
Run ∧ ¬(ireq ∧ IE) → (IR ← M[PC]: PC ← PC + 4; instruction_execution):  
Run ∧ (ireq ∧ IE) → (IPC ← PC⟨31..0⟩:  
                  II⟨15..0⟩ ← Isrc_info⟨15..0⟩: iack ← 1:  
                  IE ← 0: PC ← Ivect⟨31..0⟩; iack ← 0);  
instruction_interpretation);
```

- If interrupts are enabled, PC and interrupt info. are stored in IPC and II, respectively
 - With multiple requests, external priority circuit (discussed in later chapter) determines which vector & info. are returned
- Interrupts are disabled
- The acknowledge signal is pulsed

C

S

D

A

2/e

SRC Instructions to Support Interrupts

Return from interrupt instruction

rfi ($:= \text{op} = 29$) \rightarrow ($\text{PC} \leftarrow \text{IPC}$: $\text{IE} \leftarrow 1$):

Save and restore interrupt state

svi ($:= \text{op} = 16$) \rightarrow ($\text{R}[\text{ra}] \langle 15..0 \rangle \leftarrow \text{II} \langle 15..0 \rangle$: $\text{R}[\text{rb}] \leftarrow \text{IPC} \langle 31..0 \rangle$):

ri ($:= \text{op} = 17$) \rightarrow ($\text{II} \langle 15..0 \rangle \leftarrow \text{R}[\text{ra}] \langle 15..0 \rangle$: $\text{IPC} \langle 31..0 \rangle \leftarrow \text{R}[\text{rb}]$):

Enable and disable interrupt system

een ($:= \text{op} = 10$) \rightarrow ($\text{IE} \leftarrow 1$):

edi ($:= \text{op} = 11$) \rightarrow ($\text{IE} \leftarrow 0$):

- The 2 rfi actions are indivisible, can't een & branch

C

S

D

A

2/e

Concrete RTN for SRC Instruction Fetch with Interrupts

<u>Step</u>	<u>$\neg(\text{ireq} \wedge \text{IE})$</u>	<u>Concrete RTN</u>	<u>$(\text{ireq} \wedge \text{IE})$</u>
T0.	$(\neg(\text{ireq} \wedge \text{IE}) \rightarrow (\text{MA} \leftarrow \text{PC}; \text{C} \leftarrow \text{PC}+4):$	$(\text{ireq} \wedge \text{IE}) \rightarrow (\text{IPC} \leftarrow \text{PC}; \text{II} \leftarrow \text{Isrc_info};$ $\text{IE} \leftarrow 0; \text{PC} \leftarrow 20@0\#\text{Isrc_vect}\langle 7..0 \rangle \#0000;$ $\text{lack} \leftarrow 1);$ $\text{lack} \leftarrow 0; \text{End};$	
T1.	$\text{MD} \leftarrow \text{M}[\text{MA}]; \text{PC} \leftarrow \text{C};$		
T2.	$\text{IR} \leftarrow \text{MD};$		

- PC could be transferred to IPC over the bus
- II and IPC probably have separate inputs for the externally supplied values
- lack is pulsed, described as $\leftarrow 1; \leftarrow 0$, which is easier as a control signal than in RTN

C

S

D

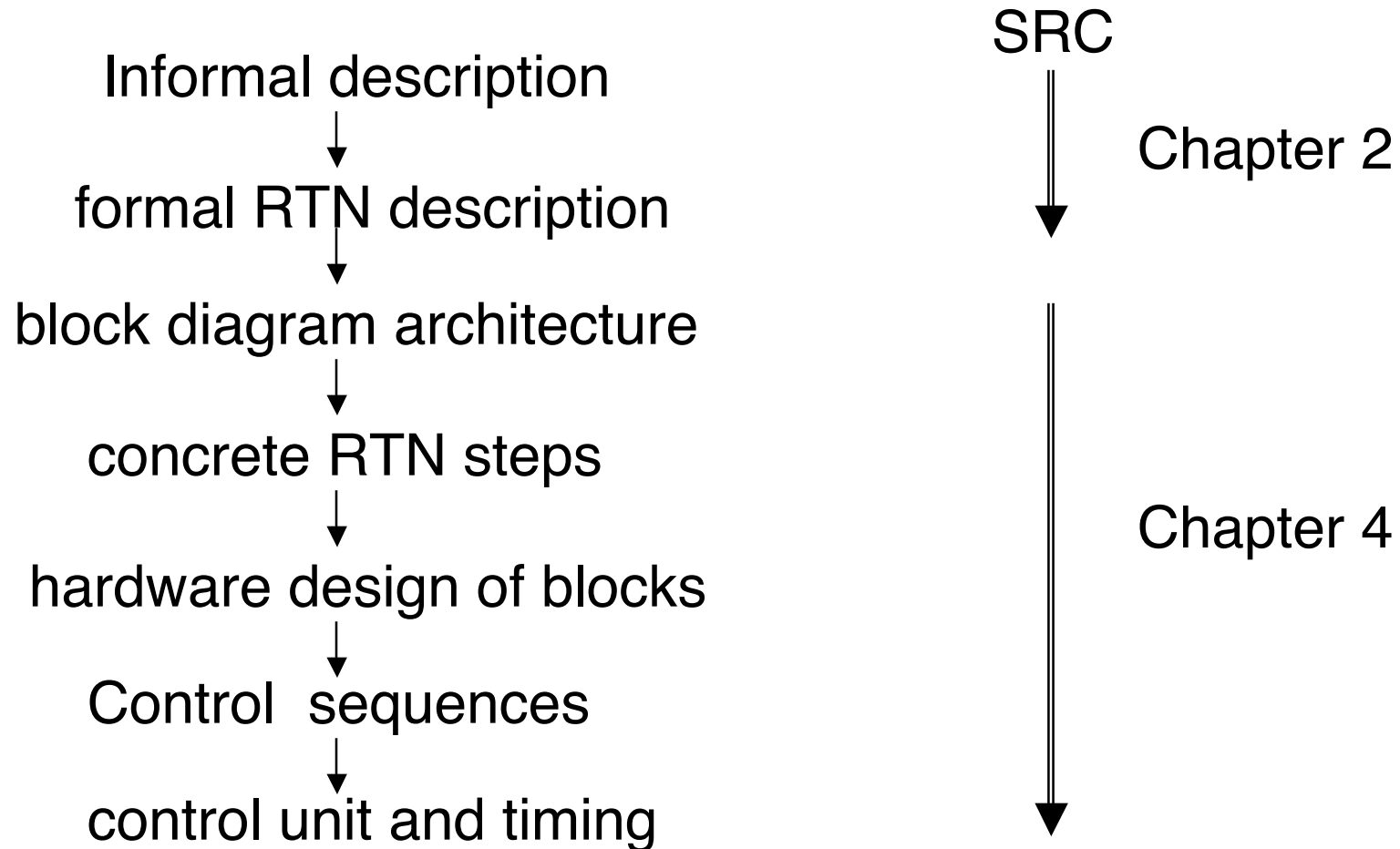
A

2/e

Exceptions During Instruction Execution

- Some exceptions occur in the middle of instructions
 - Some CISCs have very long instructions, like string move
 - Some exception conditions prevent instruction completion, like uninstalled memory
- To handle this sort of exception, the CPU must make special provision for restarting
 - Partially completed actions must be reversed so the instruction can be re-executed after exception handling
 - Information about the internal CPU state must be saved so that the instruction can resume where it left off
- We will see that this problem is acute with pipeline designs—always in middle of instructions.

Recap of the Design Process: the Main Topic of Chap. 4



C

S

D

A

2/e

Chapter 4 Summary

- Chapter 4 has done a non pipelined data path, and a hardwired controller design for SRC
- The concepts of data path block diagrams, concrete RTN, control sequences, control logic equations, step counter control, and clocking have been introduced
- The effect of different data path architectures on the concrete RTN was briefly explored
- We have begun to make simple, quantitative estimates of the impact of hardware design on performance
- Hard and soft resets were designed
- A simple exception mechanism was supplied for SRC