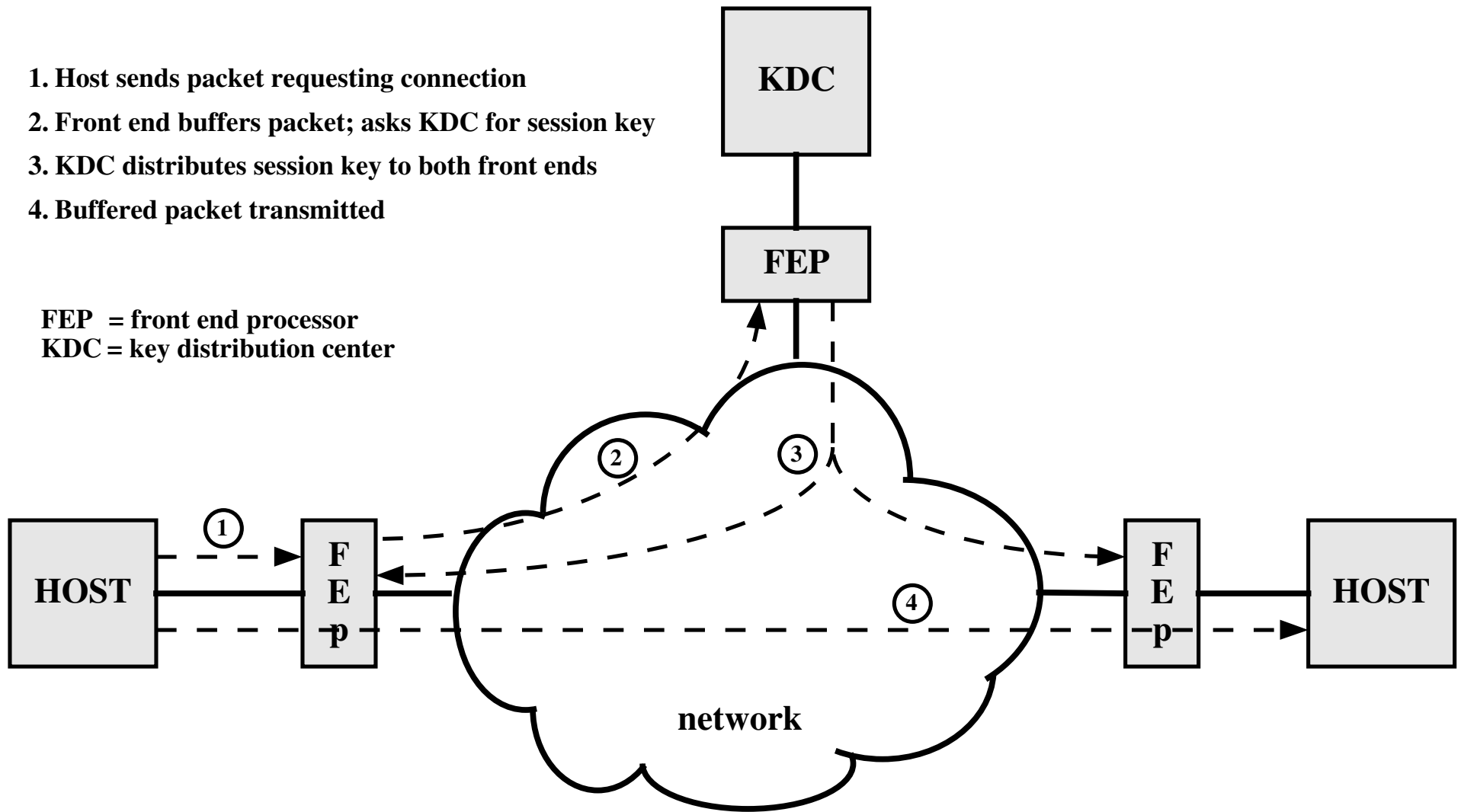


1. Host sends packet requesting connection
2. Front end buffers packet; asks KDC for session key
3. KDC distributes session key to both front ends
4. Buffered packet transmitted

FEP = front end processor  
 KDC = key distribution center



**Figure 2.10 Automatic Key Distribution for Connection-Oriented Protocol**