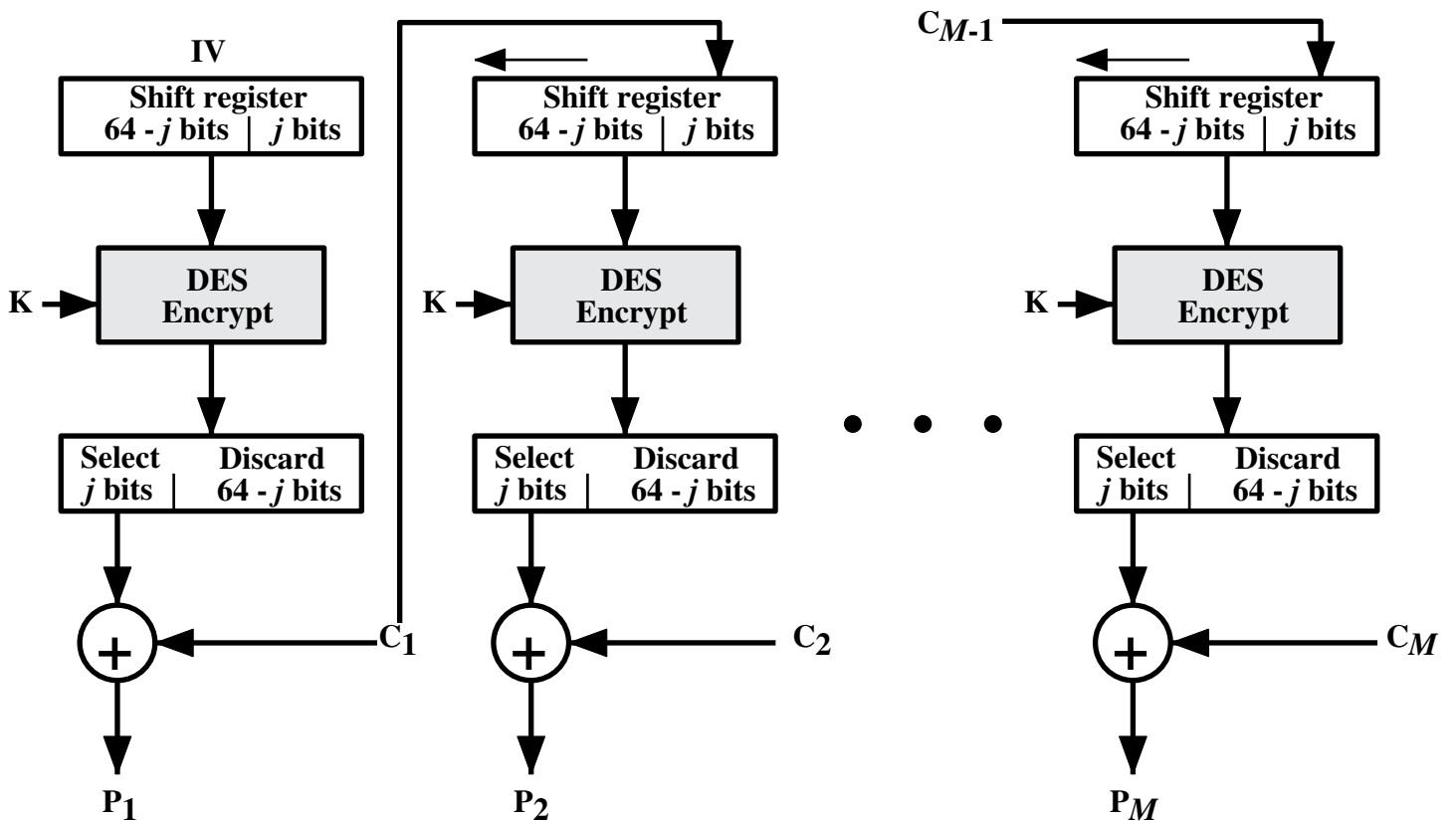


(a) Encryption



(b) Decryption

Figure 2.8 J-Bit Cipher Feedback (CFB) Mode