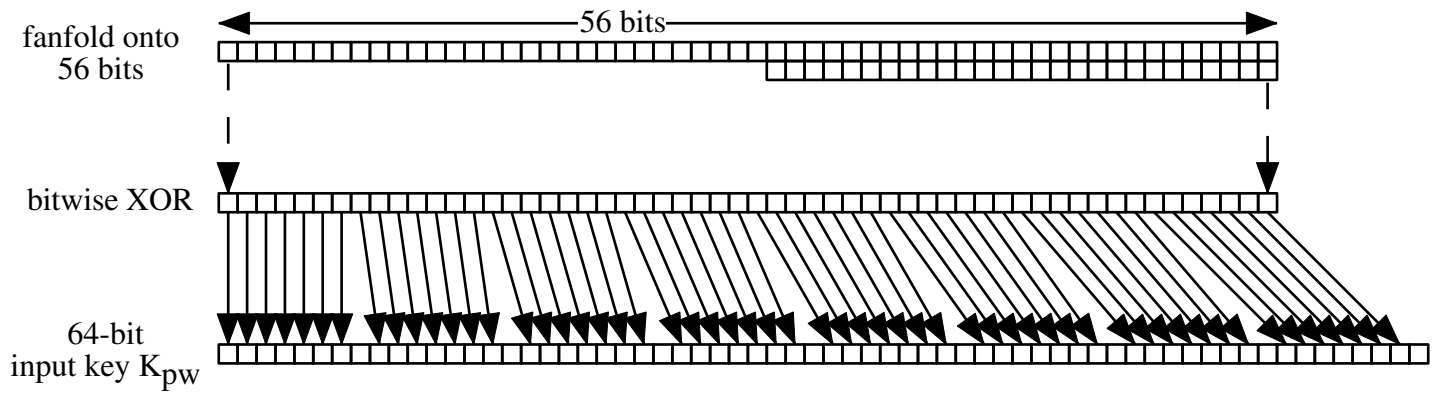
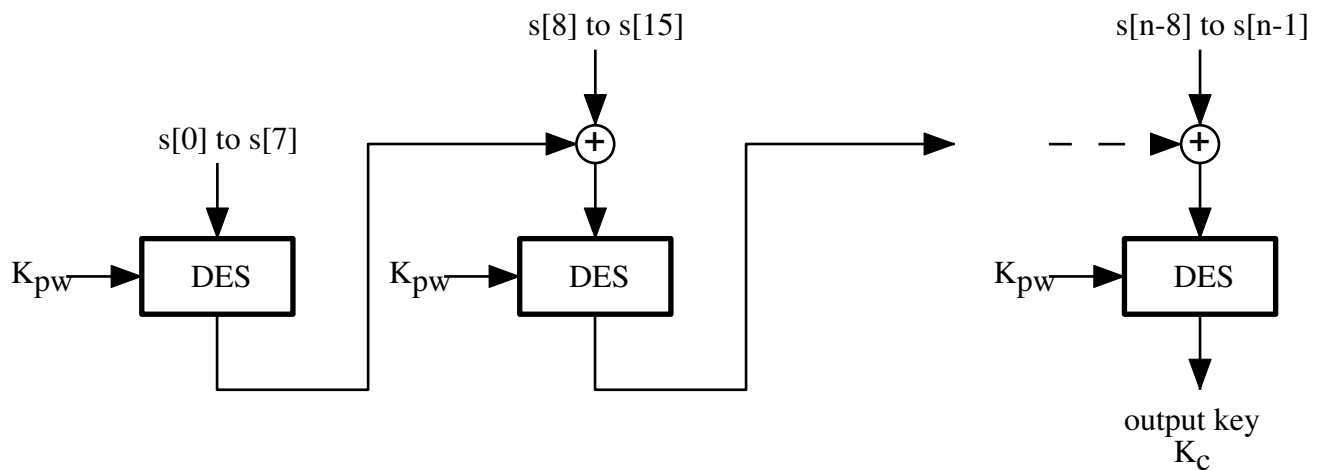


(a) Convert password to bit stream



(b) Convert bit stream to input key



(c) Generate DES CBC checksum of password

Figure 4.6 Generation of Encryption Key from Password