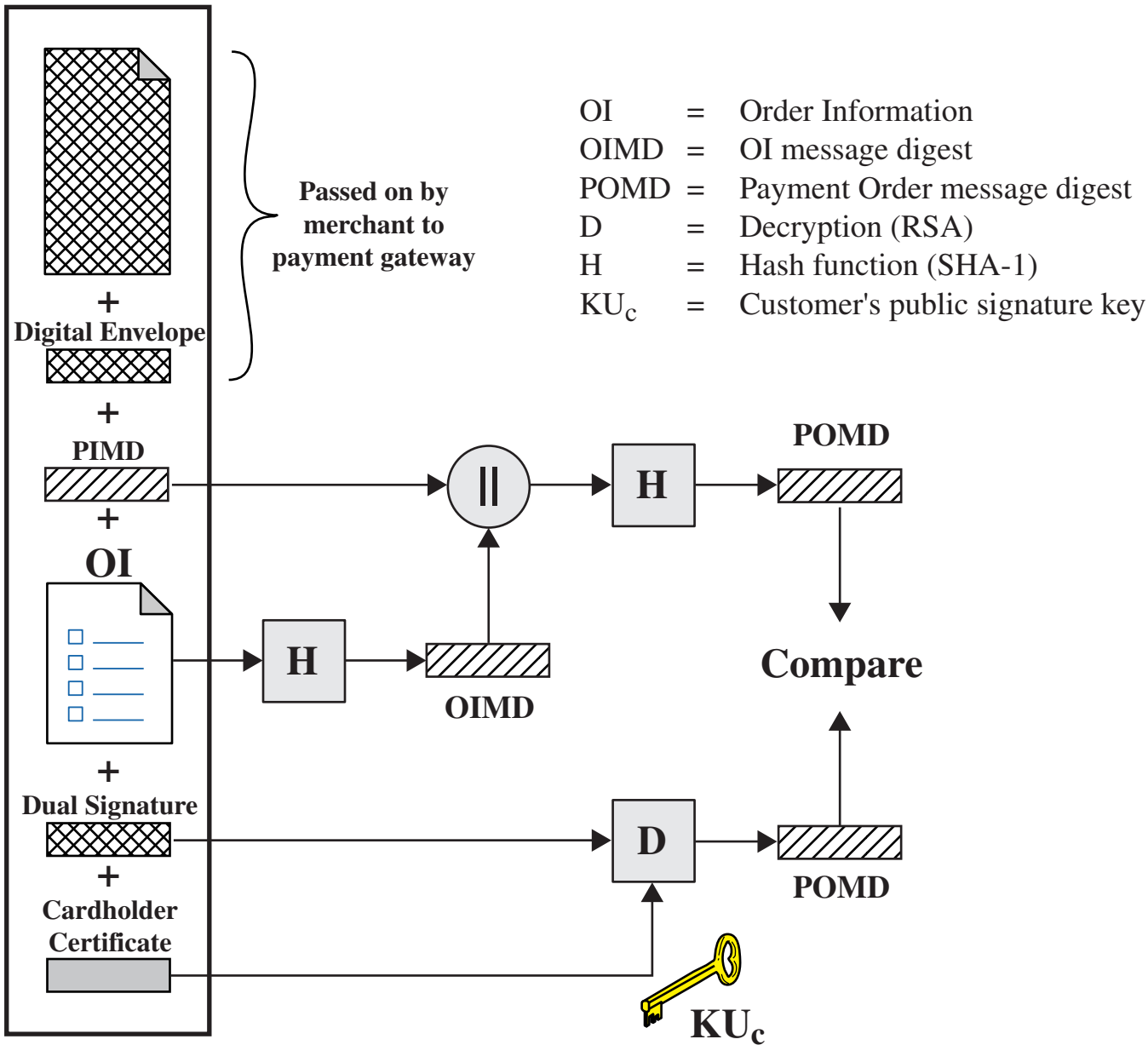


**Request Message**



**Figure 7.11 Merchant Verifies Customer Purchase Request**